



▶▶▶ Exothermic Welding



Manufacturer Head Office:

 **LYTECH**

Email: sales@lytech.uk | marketing@lytech.uk
Website: www.lytech.uk



Certificate of Registration

QUALITY MANAGEMENT SYSTEM - ISO 9001:2015

This is to certify that:

Lytech Technologies Pte Ltd
51 Ubi Avenue 1
#05-22 Paya Ubi Industrial Building
Singapore 408933

Holds Certificate No:

FM 665172

and operates a Quality Management System which complies with the requirements of ISO 9001:2015 for the following scope:

The design, manufacture & sales of lightning and earthing materials

For and on behalf of BSI:

Michael Lam - Managing Director Assurance, APAC

Original Registration Date: 2017-01-14

Latest Revision Date: 2022-12-15

Effective Date: 2023-01-14

Expiry Date: 2026-01-13

Page: 1 of 1



...making excellence a habit.™

This certificate was issued electronically and remains the property of BSI and is bound by the conditions of contract.

An electronic certificate can be authenticated [online](#).

Printed copies can be validated at www.bsi-global.com/ClientDirectory or telephone + (65) 62700777.

Further clarifications regarding the scope of this certificate and the applicability of ISO 9001:2015 requirements may be obtained by consulting the organization. This certificate is valid only if provided original copies are in complete set.

Information and Contact: BSI, Kitemark Court, Davy Avenue, Knowlhill, Milton Keynes MK5 8PP. Tel: + 44 345 080 9000
BSI Assurance UK Limited, registered in England under number 7805321 at 389 Chiswick High Road, London W4 4AL, UK.
A Member of the BSI Group of Companies.

Exothermic Welding Process

LYTECH Technologies offers complete and comprehensive exothermic welding which is a cost efficient way of making large or small numbers of high quality electrical connections.

LYTECH Technologies offers a simple, self-contained system that uses the high temperature reaction of aluminum and copper oxide which work with a graphite mold to form a permanent and robust electrical connection.

Common Uses

- Earthing for all types of power plants and sub-stations
- Telecommunications facilities
- Cathodic protection system
- Railway connections
- Transmission and power distribution lines
- Industrial and manufacturing industry



Advantages

- High conductivity
- High resistance to corrosion
- Robust and do not loosen over time as it is homogenous and permanent joint
- Ability to withstand repeated fault current

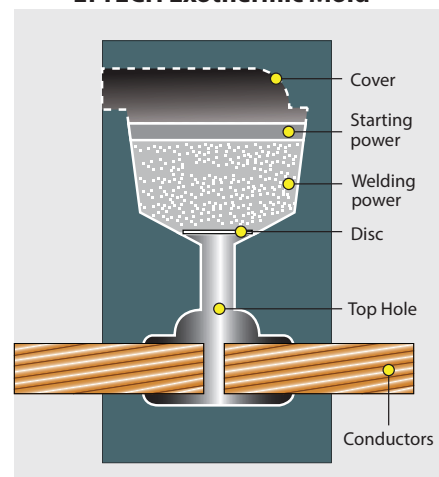
Most exothermic welding connection is at least twice the cross-sectional area of the conductors being joined and has an equivalent or higher current carrying capacity. With more than 90% copper content in the alloy, it offers excellent corrosion resistance.



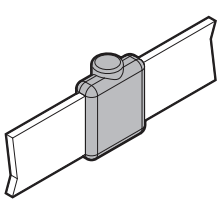
Exothermic Welding System is :

- Simple to use because there is no need for external power or heat source
- Portable and easy to carry around the job site
- Easy to learn with minimum training
- Safe and cost effective whereby the graphite mold can make around 50 connections with proper care procedures

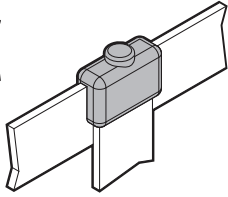
LYTECH Exothermic Mold



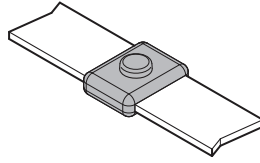
■ Bar To Bar



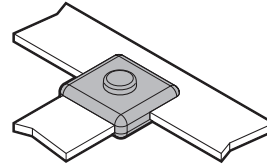
BB1



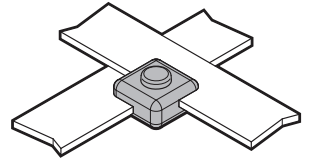
BB3



BB7

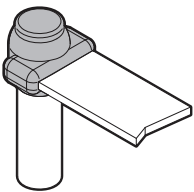


BB14

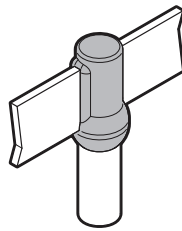


BB41

■ Bar To Earth Rod

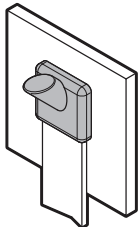


BR1

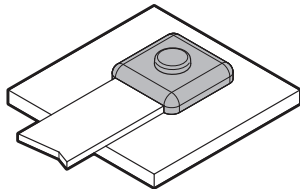


BR2

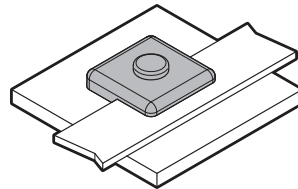
■ Bar To Steel Surface



BS1

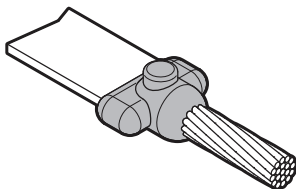


BS2

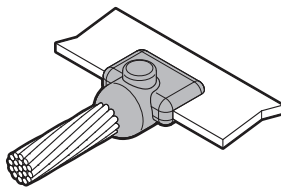


BS3

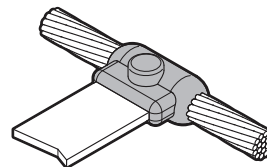
■ Cable To Bar



CB1

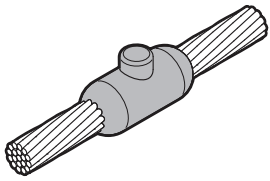


CB4

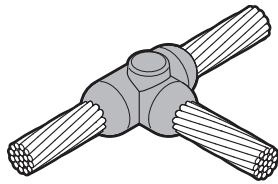


CB5

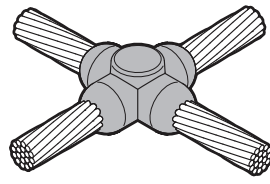
Cable To Cable



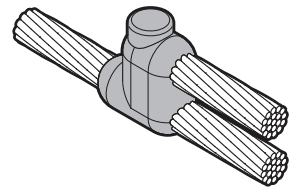
CC1



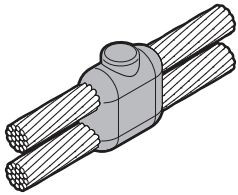
CC2



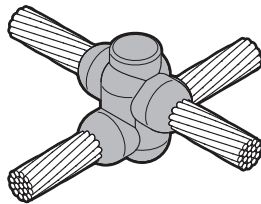
CC4



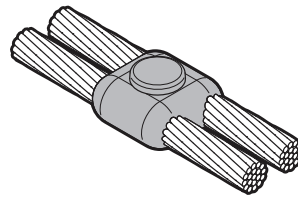
CC6



CC7

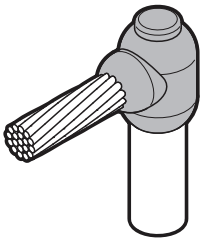


CC11

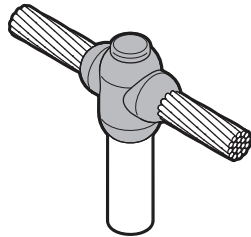


CC14

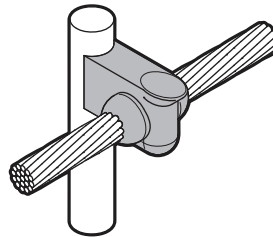
Cable To Earth Rod



CR1

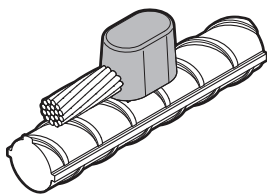


CR2

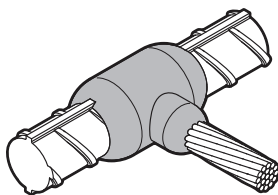


CR3

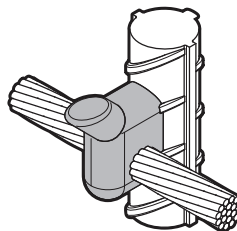
Cable To Reinforcing Bar



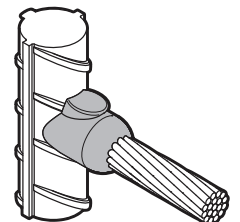
CRE1



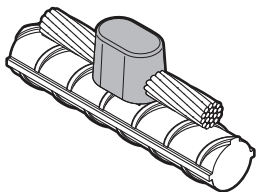
CRE2



CRE3

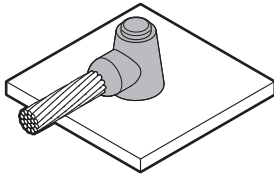


CRE6

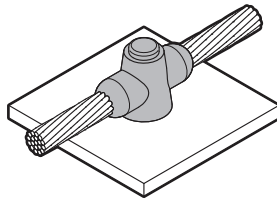


CRE17

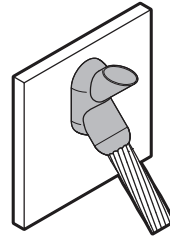
Cable To Steel Surface & Pipe



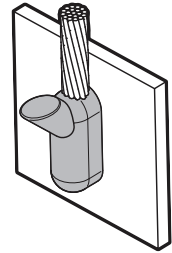
CS1



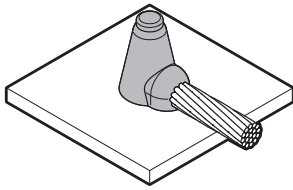
CS2



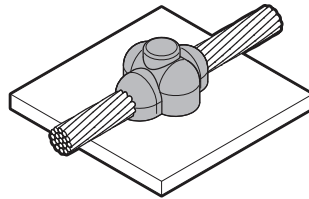
CS3



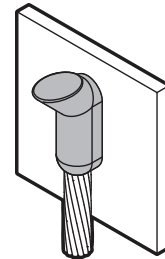
CS7



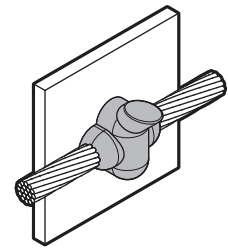
CS8



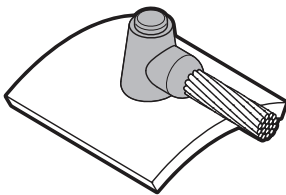
CS9



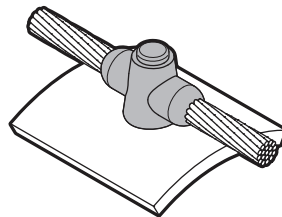
CS25



CS27

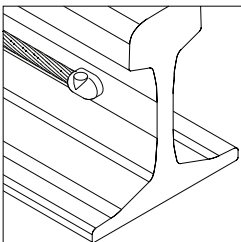


CS32

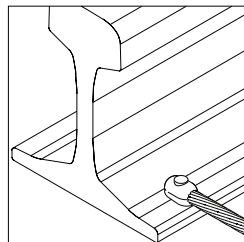


CS34

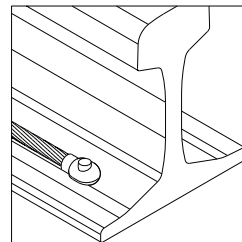
Cable To Rail



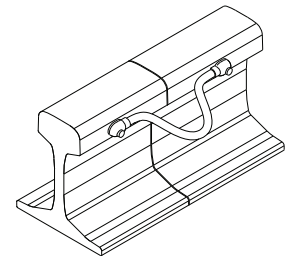
R4



R5

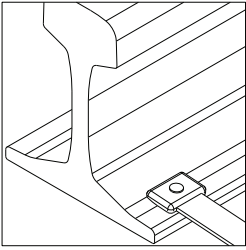


R10



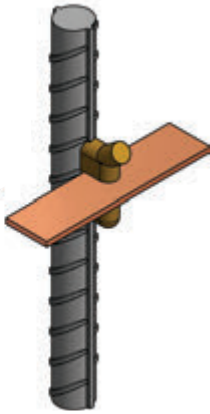
R12

Bar To Rail

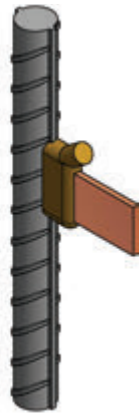


R6

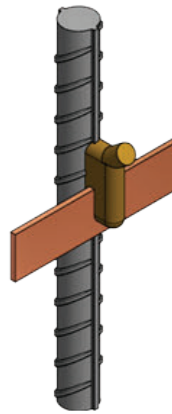
BRE Joints



BRE4
(Horizontal Tape
Thru Rebar)



BRE60
(Vertical Tape End
Tap to Rebar)




BRE73
(Vertical Tape
Thru Rebar)

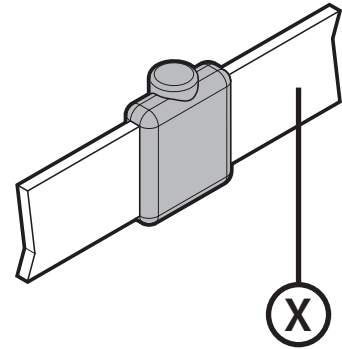


BRE76
(Vertical Tape Parallel
Tap Rebar)

Bar to Bar



BB1 (Vertical Straight Joint)

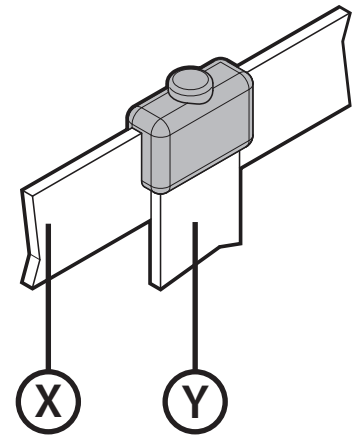
 mm x mm	Mold Part Number	Weld Powder Size	Handle Clamp
20 x 3	BB1-4-203L	45F10	HC04
25 x 3	BB1-4-253L	65F10	HC04
25 x 4	BB1-4-254L	90F10	HC04
25 x 6	BB1-4-256L	150F10	HC04
30 x 2	BB1-4-302L	65F10	HC04
30 x 3	BB1-4-303L	90F10	HC04
30 x 4	BB1-4-304L	115F10	HC04
30 x 5	BB1-4-305L	115F10	HC04
31 x 3	BB1-4-313L	90F10	HC04
31 x 6	BB1-4-316L	150F10	HC04
38 x 3	BB1-4-383L	115F10	HC04
38 x 5	BB1-4-385L	150F10	HC04
38 x 6	BB1-4-386L	200F10	HC04
40 x 3	BB1-4-403L	115F10	HC04
40 x 4	BB1-4-404L	150F10	HC04
40 x 5	BB1-4-405L	150F10	HC04
40 x 6	BB1-4-406L	200F10	HC04
50 x 3	BB1-4-503L	150F10	HC04
50 x 4	BB1-4-504L	200F10	HC04
50 x 5	BB1-4-505L	200F10	HC04
50 x 6	BB1-4-506L	250F10	HC04



Bar to Bar


BB3 (Vertical Tee Joint)

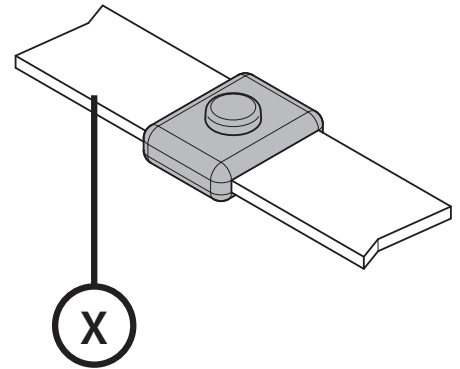
 mm x mm	 mm x mm	Mold Part Number	Weld Powder Size	Handle Clamp
20 x 3	20 x 3	BB3-4-203203L	65F10	HC04
25 x 3	25 x 3	BB3-4-253253L	65F10	HC04
25 x 4	25 x 4	BB3-4-254254L	90F10	HC04
25 x 6	25 x 6	BB3-4-256256L	150F10	HC04
30 x 2	30 x 2	BB3-4-302302L	65F10	HC04
30 x 3	30 x 3	BB3-4-303303L	90F10	HC04
30 x 4	30 x 4	BB3-4-304304L	115F10	HC04
30 x 5	30 x 5	BB3-4-305305L	115F10	HC04
31 x 3	31 x 3	BB3-4-313313L	115F10	HC04
31 x 6	31 x 6	BB3-4-316316L	200F10	HC04
38 x 3	38 x 3	BB3-4-383383L	115F10	HC04
38 x 5	38 x 5	BB3-4-385385L	150F10	HC04
38 x 6	38 x 6	BB3-4-386386L	200F10	HC04
40 x 3	40 x 3	BB3-4-403403L	115F10	HC04
40 x 4	40 x 4	BB3-4-404404L	150F10	HC04
40 x 5	40 x 5	BB3-4-405405L	150F10	HC04
40 x 6	40 x 6	BB3-4-406406L	200F10	HC04
50 x 3	50 x 3	BB3-4-503503L	200F10	HC04
50 x 4	50 x 4	BB3-4-504504L	200F10	HC04
50 x 5	50 x 5	BB3-4-505505L	200F10	HC04
50 x 6	50 x 6	BB3-4-506506L	250F10	HC04



Bar to Bar



BB7 (Horizontal Straight Joint)

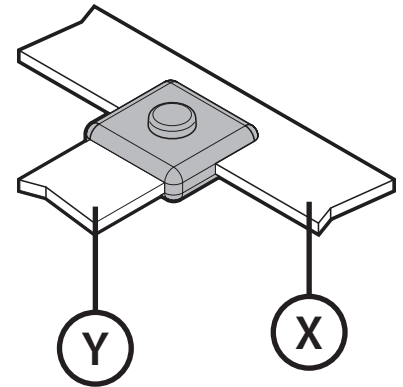
 mm x mm	Mold Part Number	Weld Powder Size	Handle Clamp
20 x 3	BB7-4-203L	45F10	HC04
25 x 3	BB7-4-253L	65F10	HC04
25 x 4	BB7-4-254L	90F10	HC04
25 x 6	BB7-4-256L	115F10	HC04
30 x 2	BB7-4-302L	65F10	HC04
30 x 3	BB7-4-303L	65F10	HC04
30 x 4	BB7-4-304L	90F10	HC04
30 x 5	BB7-4-305L	115F10	HC04
31 x 3	BB7-4-313L	65F10	HC04
31 x 6	BB7-4-316L	150F10	HC04
38 x 3	BB7-4-383L	90F10	HC04
38 x 5	BB7-4-385L	150F10	HC04
38 x 6	BB7-4-386L	200F10	HC04
40 x 3	BB7-4-403L	90F10	HC04
40 x 4	BB7-4-404L	115F10	HC04
40 x 5	BB7-4-405L	150F10	HC04
40 x 6	BB7-4-406L	200F10	HC04
50 x 3	BB7-5-503L	150F10	HC05
50 x 4	BB7-5-504L	200F10	HC05
50 x 5	BB7-5-505L	200F10	HC05
50 x 6	BB7-5-506L	250F10	HC05



Bar to Bar



BB14 (Horizontal Tee Joint)

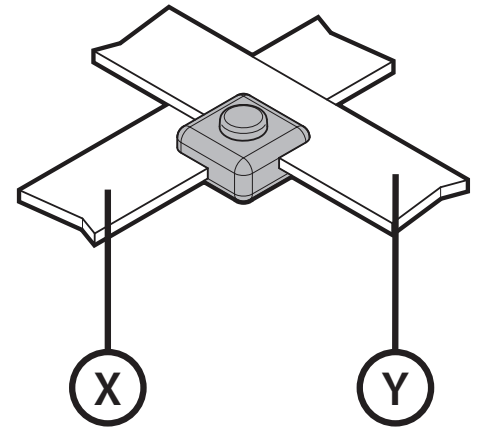
 mm x mm	 mm x mm	Mold Part Number	Weld Powder Size	Handle Clamp
20 x 3	20 x 3	BB14-4-203203L	45F10	HC04
25 x 3	25 x 3	BB14-4-253253L	65F10	HC04
25 x 4	25 x 4	BB14-4-254254L	90F10	HC04
25 x 6	25 x 6	BB14-4-256256L	115F10	HC04
30 x 2	30 x 2	BB14-4-302302L	65F10	HC04
30 x 3	30 x 3	BB14-4-303303L	65F10	HC04
30 x 4	30 x 4	BB14-4-304304L	90F10	HC04
30 x 5	30 x 5	BB14-4-305305L	115F10	HC04
31 x 3	31 x 3	BB14-4-313313L	90F10	HC04
31 x 6	31 x 6	BB14-4-316316L	150F10	HC04
38 x 3	38 x 3	BB14-4-383383L	90F10	HC04
38 x 5	38 x 5	BB14-4-385385L	150F10	HC04
38 x 6	38 x 6	BB14-4-386386L	200F10	HC04
40 x 3	40 x 3	BB14-4-403403L	90F10	HC04
40 x 4	40 x 4	BB14-4-404404L	115F10	HC04
40 x 5	40 x 5	BB14-4-405405L	150F10	HC04
40 x 6	40 x 6	BB14-4-406406L	200F10	HC04
50 x 3	50 x 3	BB14-5-503503L	150F10	HC05
50 x 4	50 x 4	BB14-5-504504L	200F10	HC05
50 x 5	50 x 5	BB14-5-505505L	200F10	HC05
50 x 6	50 x 6	BB14-5-506506L	250F10	HC05



Bar to Bar

BB41 (Horizontal Straight Joint)

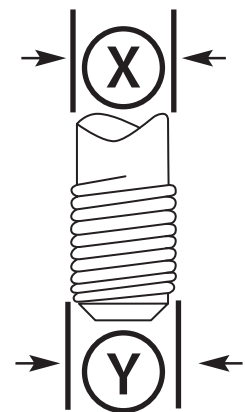
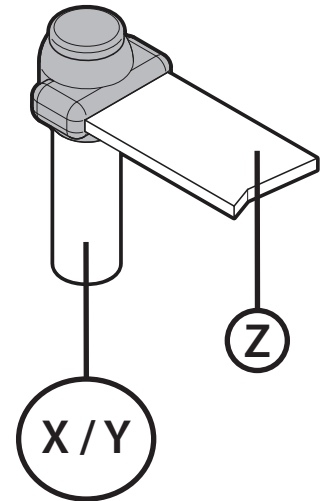
 mm x mm	 mm x mm	Mold Part Number	Weld Powder Size	Handle Clamp
20 x 3	20 x 3	BB41-4-203203L	65F10	HC04
25 x 3	25 x 3	BB41-4-253253L	65F10	HC04
25 x 4	25 x 4	BB41-4-254254L	90F10	HC04
25 x 6	25 x 6	BB41-4-256256L	115F10	HC04
30 x 2	30 x 2	BB41-4-302302L	65F10	HC04
30 x 3	30 x 3	BB41-4-303303L	115F10	HC04
30 x 4	30 x 4	BB41-4-304304L	115F10	HC04
30 x 5	30 x 5	BB41-4-305305L	115F10	HC04
31 x 3	31 x 3	BB41-4-313313L	115F10	HC04
31 x 6	31 x 6	BB41-4-316316L	115F10	HC04
38 x 3	38 x 3	BB41-4-383383L	150F10	HC04
38 x 5	38 x 5	BB41-4-385385L	150F10	HC04
38 x 6	38 x 6	BB41-4-386386L	200F10	HC04
40 x 3	40 x 3	BB41-4-403403L	200F10	HC04
40 x 4	40 x 4	BB41-4-404404L	200F10	HC04
40 x 5	40 x 5	BB41-4-405405L	200F10	HC04
40 x 6	40 x 6	BB41-4-406406L	200F10	HC04
50 x 3	50 x 3	BB41-5-503503L	200F10	HC05
50 x 4	50 x 4	BB41-5-504504L	200F10	HC05
50 x 5	50 x 5	BB41-5-505505L	200F10	HC05
50 x 6	50 x 6	BB41-5-506506L	200F10	HC05



Bar to Earth Rod

BR1 (Horizontal Tape to Rod 90 Deg Joint)

X mm Ø	Y inches Ø	Z mm x mm	Mold Part Number	Weld Powder Size	Handle Clamp
12.7	1/2"	20 x 3	BR1-4-127203L	90F10	HC04
12.7	1/2"	25 x 3	BR1-4-127253L	90F10	HC04
12.7	1/2"	25 x 4	BR1-4-127254L	90F10	HC04
12.7	1/2"	30 x 2	BR1-4-127302L	90F10	HC04
12.7	1/2"	30 x 3	BR1-4-127303L	90F10	HC04
12.7	1/2"	31 x 3	BR1-4-127313L	90F10	HC04
12.7	1/2"	38 x 3	BR1-4-127383L	90F10	HC04
12.7	1/2"	40 x 3	BR1-4-127403L	90F10	HC04
12.7	1/2"	50 x 3	BR1-4-127503L	115F10	HC04
12.7	1/2"	50 x 6	BR1-4-127506L	115F10	HC04
14.2	5/8"	20 x 3	BR1-4-142203L	90F10	HC04
14.2	5/8"	25 x 3	BR1-4-142253L	90F10	HC04
14.2	5/8"	25 x 4	BR1-4-142254L	115F10	HC04
14.2	5/8"	25 x 6	BR1-4-142256L	115F10	HC04
14.2	5/8"	30 x 2	BR1-4-142302L	115F10	HC04
14.2	5/8"	30 x 3	BR1-4-142303L	115F10	HC04
14.2	5/8"	30 x 4	BR1-4-142304L	150F10	HC04
14.2	5/8"	30 x 5	BR1-4-142305L	150F10	HC04
14.2	5/8"	31 x 3	BR1-4-142313L	115F10	HC04
14.2	5/8"	31 x 6	BR1-4-142316L	150F10	HC04
14.2	5/8"	38 x 3	BR1-4-142383L	115F10	HC04
14.2	5/8"	38 x 5	BR1-4-142385L	150F10	HC04
14.2	5/8"	38 x 6	BR1-4-142386L	200F10	HC04
14.2	5/8"	40 x 3	BR1-4-142403L	115F10	HC04
14.2	5/8"	40 x 4	BR1-4-142404L	150F10	HC04
14.2	5/8"	40 x 5	BR1-4-142405L	150F10	HC04
14.2	5/8"	40 x 6	BR1-4-142406L	200F10	HC04
14.2	5/8"	50 x 3	BR1-4-142503L	150F10	HC04

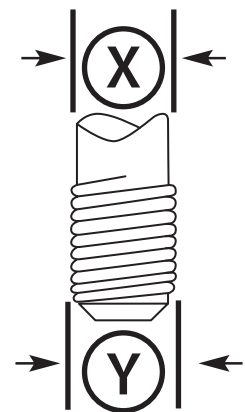
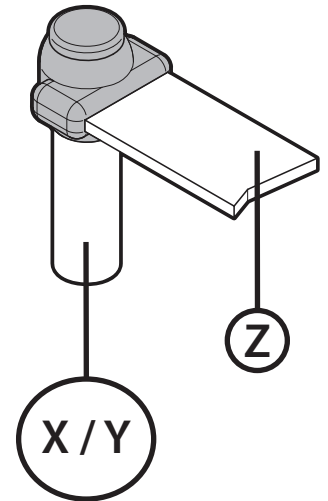


Continued...

Bar to Earth Rod

BR1 (Horizontal Tape to Rod 90 Deg Joint)

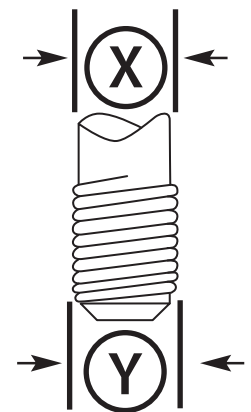
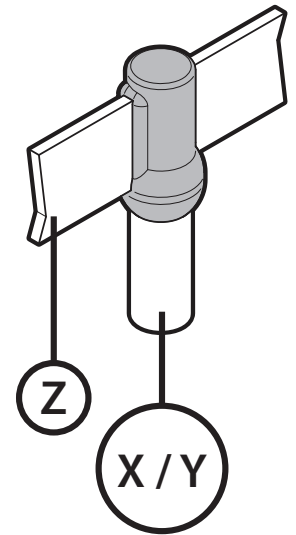
X mm Ø	Y inches Ø	Z mm x mm	Mold Part Number	Weld Powder Size	Handle Clamp
14.2	5/8"	50 x 4	BR1-4-142504L	200F10	HC04
14.2	5/8"	50 x 5	BR1-4-142505L	200F10	HC04
14.2	5/8"	50 x 6	BR1-4-142506L	200F10	HC04
17.2	3/4"	20 x 3	BR1-4-172203L	115F10	HC04
17.2	3/4"	25 x 3	BR1-4-172253L	150F10	HC04
17.2	3/4"	25 x 4	BR1-4-172254L	150F10	HC04
17.2	3/4"	25 x 6	BR1-4-172256L	200F10	HC04
17.2	3/4"	30 x 2	BR1-4-172302L	150F10	HC04
17.2	3/4"	30 x 3	BR1-4-172303L	150F10	HC04
17.2	3/4"	30 x 4	BR1-4-172304L	250F10	HC04
17.2	3/4"	30 x 5	BR1-4-172305L	200F10	HC04
17.2	3/4"	31 x 3	BR1-4-172313L	150F10	HC04
17.2	3/4"	31 x 6	BR1-4-172316L	250F10	HC04
17.2	3/4"	38 x 3	BR1-4-172383L	200F10	HC04
17.2	3/4"	38 x 5	BR1-4-172385L	200F10	HC04
17.2	3/4"	38 x 6	BR1-5-172386L	2x150F10	HC05
17.2	3/4"	40 x 3	BR1-4-172403L	200F10	HC04
17.2	3/4"	40 x 4	BR1-4-172404L	200F10	HC04
17.2	3/4"	40 x 5	BR1-4-172405L	200F10	HC04
17.2	3/4"	40 x 6	BR1-5-172406L	2x150F10	HC05
17.2	3/4"	50 x 3	BR1-5-172503L	2x150F10	HC05
17.2	3/4"	50 x 4	BR1-5-172504L	2x150F10	HC05
17.2	3/4"	50 x 5	BR1-5-172505L	2x150F10	HC05
17.2	3/4"	50 x 6	BR1-5-172506L	2x200F10	HC05



Bar to Earth Rod

BR2 (Vertical Tape to Rod Thru Tee Joint)

X mm Ø	Y inches Ø	Z mm x mm	Mold Part Number	Weld Powder Size	Handle Clamp
12.7	1/2"	20 x 3	BR2-4-127203L	90F10	HC04
12.7	1/2"	25 x 3	BR2-4-127253L	90F10	HC04
12.7	1/2"	25 x 4	BR2-4-127254L	90F10	HC04
12.7	1/2"	30 x 2	BR2-4-127302L	90F10	HC04
12.7	1/2"	30 x 3	BR2-4-127303L	90F10	HC04
12.7	1/2"	31 x 3	BR2-4-127313L	90F10	HC04
12.7	1/2"	38 x 3	BR2-4-127383L	90F10	HC04
12.7	1/2"	40 x 3	BR2-4-127403L	90F10	HC04
12.7	1/2"	50 x 3	BR2-4-127503L	115F10	HC04
14.2	5/8"	20 x 3	BR2-4-142203L	90F10	HC04
14.2	5/8"	25 x 3	BR2-4-142253L	90F10	HC04
14.2	5/8"	25 x 4	BR2-4-142254L	115F10	HC04
14.2	5/8"	25 x 6	BR2-4-142256L	150F10	HC04
14.2	5/8"	30 x 2	BR2-4-142302L	90F10	HC04
14.2	5/8"	30 x 3	BR2-4-142303L	115F10	HC04
14.2	5/8"	30 x 4	BR2-4-142304L	150F10	HC04
14.2	5/8"	30 x 5	BR2-4-142305L	150F10	HC04
14.2	5/8"	31 x 3	BR2-4-142313L	115F10	HC04
14.2	5/8"	31 x 6	BR2-4-142316L	150F10	HC04
14.2	5/8"	38 x 3	BR2-4-142383L	150F10	HC04
14.2	5/8"	38 x 5	BR2-4-142385L	150F10	HC04
14.2	5/8"	38 x 6	BR2-4-142386L	200F10	HC04
14.2	5/8"	40 x 3	BR2-4-142403L	150F10	HC04
14.2	5/8"	40 x 4	BR2-4-142404L	150F10	HC04
14.2	5/8"	40 x 5	BR2-4-142405L	150F10	HC04
14.2	5/8"	40 x 6	BR2-4-142406L	200F10	HC04
14.2	5/8"	50 x 3	BR2-4-142503L	200F10	HC04
14.2	5/8"	50 x 4	BR2-4-142504L	200F10	HC04

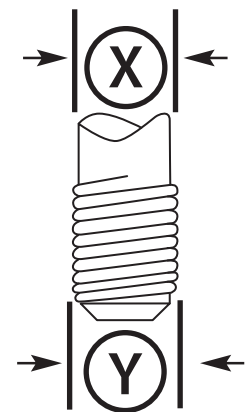
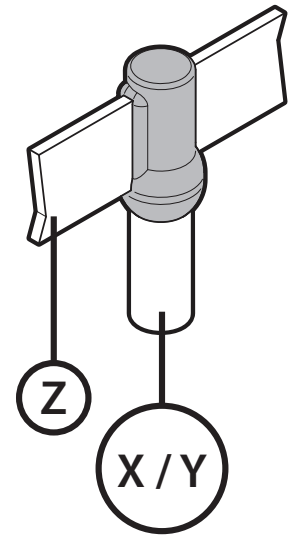


Continued...

Bar to Earth Rod


BR2 (Vertical Tape to Rod Thru Tee Joint)

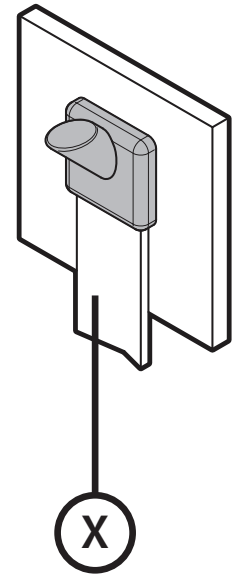
X mm Ø	Y inches Ø	Z mm x mm	Mold Part Number	Weld Powder Size	Handle Clamp
14.2	5/8"	50 x 5	BR2-4-142505L	200F10	HC04
14.2	5/8"	50 x 6	BR2-4-142506L	250F10	HC04
17.2	3/4"	20 x 3	BR2-4-172203L	150F10	HC04
17.2	3/4"	25 x 3	BR2-4-172253L	150F10	HC04
17.2	3/4"	25 x 4	BR2-4-172254L	200F10	HC04
17.2	3/4"	25 x 6	BR2-4-172256L	200F10	HC04
17.2	3/4"	30 x 2	BR2-4-172302L	150F10	HC04
17.2	3/4"	30 x 3	BR2-4-172303L	150F10	HC04
17.2	3/4"	30 x 4	BR2-4-172304L	250F10	HC04
17.2	3/4"	30 x 5	BR2-4-172305L	200F10	HC04
17.2	3/4"	31 x 3	BR2-4-172313L	200F10	HC04
17.2	3/4"	31 x 6	BR2-4-172316L	250F10	HC04
17.2	3/4"	38 x 3	BR2-4-172383L	200F10	HC04
17.2	3/4"	38 x 5	BR2-4-172385L	200F10	HC04
17.2	3/4"	38 x 6	BR2-4-172386L	250F10	HC04
17.2	3/4"	40 x 3	BR2-4-172403L	200F10	HC04
17.2	3/4"	40 x 4	BR2-4-172404L	200F10	HC04
17.2	3/4"	40 x 5	BR2-4-172405L	200F10	HC04
17.2	3/4"	40 x 6	BR2-4-172406L	250F10	HC04
17.2	3/4"	50 x 3	BR2-5-172503L	2x150F10	HC05
17.2	3/4"	50 x 4	BR2-5-172504L	2x150F10	HC05
17.2	3/4"	50 x 5	BR2-5-172505L	2x150F10	HC05
17.2	3/4"	50 x 6	BR2-5-172506L	2x150F10	HC05



Bar to Steel Surface


BS1 (Vertical Tape to Steel Surface Joint)

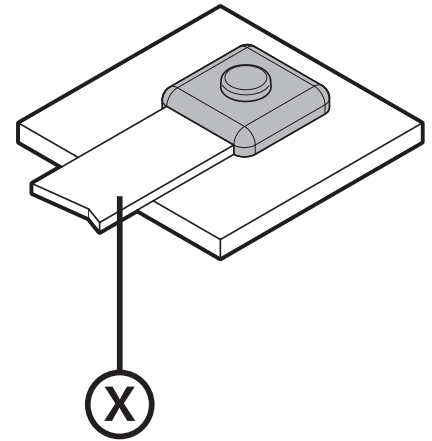
 mm x mm	Mold Part Number	Weld Powder Size	Handle Clamp
20 x 3	BS1-4-203L	65F10	HC04
25 x 3	BS1-4-253L	90F10	HC04
25 x 4	BS1-4-254L	90F10	HC04
25 x 6	BS1-4-256L	150F10	HC04
30 x 2	BS1-4-302L	90F10	HC04
30 x 3	BS1-4-303L	90F10	HC04
30 x 4	BS1-4-304L	115F10	HC04
30 x 5	BS1-4-305L	150F10	HC04
31 x 3	BS1-4-313L	90F10	HC04
31 x 6	BS1-4-316L	200F10	HC04
38 x 3	BS1-4-383L	150F10	HC04
38 x 5	BS1-4-385L	200F10	HC04
38 x 6	BS1-4-386L	250F10	HC04
40 x 3	BS1-4-403L	150F10	HC04
40 x 4	BS1-4-404L	200F10	HC04
40 x 5	BS1-4-405L	200F10	HC04
40 x 6	BS1-4-406L	250F10	HC04
50 x 3	BS1-4-503L	200F10	HC04
50 x 4	BS1-4-504L	250F10	HC04
50 x 5	BS1-4-505L	250F10	HC04
50 x 6	BS1-5-506L	2x150F10	HC05



Bar to Steel Surface


BS2 (Horizontal Tape to Steel Surface Joint)

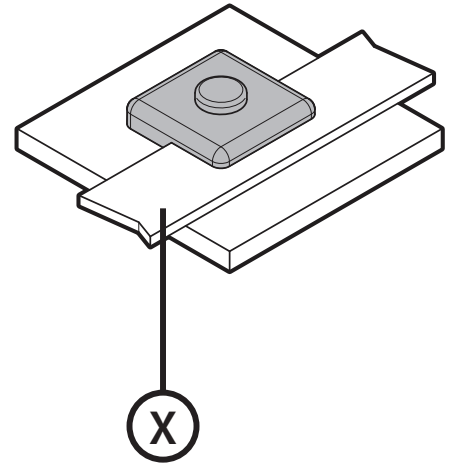
 mm x mm	Mold Part Number	Weld Powder Size	Handle Clamp
20 x 3	BS2-4-203L	90F10	HC04
25 x 3	BS2-4-253L	90F10	HC04
25 x 4	BS2-4-254L	90F10	HC04
25 x 6	BS2-4-256L	150F10	HC04
30 x 2	BS2-4-302L	115F10	HC04
30 x 3	BS2-4-303L	115F10	HC04
30 x 4	BS2-4-304L	150F10	HC04
30 x 5	BS2-4-305L	200F10	HC04
31 x 3	BS2-4-313L	115F10	HC04
31 x 6	BS2-4-316L	200F10	HC04
38 x 3	BS2-4-383L	150F10	HC04
38 x 5	BS2-4-385L	200F10	HC04
38 x 6	BS2-4-386L	200F10	HC04
40 x 3	BS2-4-403L	115F10	HC04
40 x 4	BS2-4-404L	200F10	HC04
40 x 5	BS2-4-405L	200F10	HC04
40 x 6	BS2-4-406L	250F10	HC04
50 x 3	BS2-4-503L	200F10	HC04
50 x 4	BS2-5-504L	2x150F10	HC05
50 x 5	BS2-5-505L	2x150F10	HC05
50 x 6	BS2-5-506L	2x150F10	HC05



Bar to Steel Surface

BS3 (Horizontal Thru Tape to Steel Surface Joint)

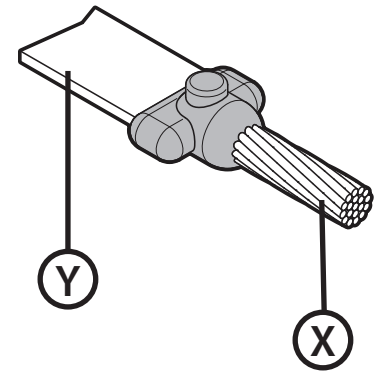
 mm x mm	Mold Part Number	Weld Powder Size	Handle Clamp
20 x 3	BS3-4-203L	65F10	HC04
20 x 3	BS3-4-203L	90F10	HC04
25 x 3	BS3-4-253L	115F10	HC04
25 x 4	BS3-4-254L	115F10	HC04
25 x 6	BS3-4-256L	150F10	HC04
30 x 2	BS3-4-302L	115F10	HC04
30 x 3	BS3-4-303L	115F10	HC04
30 x 4	BS3-4-304L	150F10	HC04
30 x 5	BS3-4-305L	200F10	HC04
31 x 3	BS3-4-313L	115F10	HC04
31 x 6	BS3-4-316L	200F10	HC04
38 x 3	BS3-4-383L	150F10	HC04
38 x 5	BS3-4-385L	200F10	HC04
38 x 6	BS3-4-386L	250F10	HC04
40 x 3	BS3-4-403L	150F10	HC04
40 x 4	BS3-4-404L	200F10	HC04
40 x 5	BS3-4-405L	250F10	HC04
40 x 6	BS3-4-406L	250F10	HC04
50 x 3	BS3-4-503L	250F10	HC04
50 x 4	BS3-4-504L	250F10	HC04
50 x 5	BS3-4-505L	250F10	HC04
50 x 6	BS3-4-506L	250F10	HC04



Cable to Bar

CB1 (Horizontal Cable Tap to Horizontal Tape)

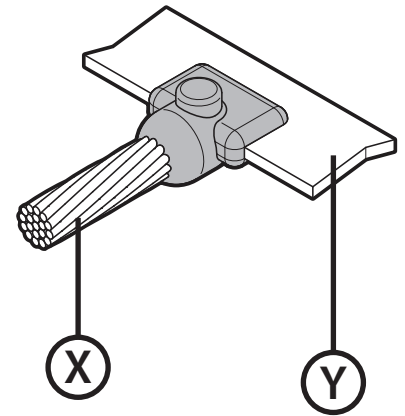
X mm ²	Y mm x mm	Mold Part Number	Weld Powder Size	Handle Clamp
16	20 x 3	CB1-4-16203L	45F10	HC04
16	25 x 3	CB1-4-16253L	45F10	HC04
25	20 x 3	CB1-4-25203L	32F10	HC04
25	25 x 3	CB1-4-25253L	45F10	HC04
35	20 x 3	CB1-4-35203L	45F10	HC04
35	25 x 3	CB1-4-35253L	45F10	HC04
50	20 x 3	CB1-4-50203L	45F10	HC04
50	25 x 3	CB1-4-50253L	65F10	HC04
8mmø	20 x 3	CB1-4-8SC203L	45F10	HC04
8mmø	25 x 3	CB1-4-8SC253L	65F10	HC04
70	25 x 3	CB1-4-70253L	65F10	HC04
70	25 x 4	CB1-4-70254L	65F10	HC04
70	25 x 6	CB1-4-70256L	65F10	HC04
10mmø	25 x 3	CB1-4-10SC253L	65F10	HC04
10mmø	25 x 4	CB1-4-10SC254L	65F10	HC04
10mmø	25 x 6	CB1-4-10SC256L	65F10	HC04
95	25 x 4	CB1-4-95254L	90F10	HC04
95	25 x 6	CB1-4-95256L	90F10	HC04
120	25 x 6	CB1-4-120256L	90F10	HC04
120	30 x 5	CB1-4-120305L	115F10	HC04
150	25 x 6	CB1-4-150256L	115F10	HC04
150	30 x 5	CB1-4-150305L	115F10	HC04
150	40 x 5	CB1-4-150405L	150F10	HC04
185	31 x 6	CB1-4-185316L	150F10	HC04
185	40 x 5	CB1-4-185405L	150F10	HC04
185	50 x 5	CB1-5-185505L	200F10	HC05
240	50 x 5	CB1-5-240505L	200F10	HC05
240	50 x 6	CB1-5-240506L	2x150F10	HC05
300	50 x 6	CB1-5-300506L	2x150F10	HC05



Cable to Bar

CB4 (Horizontal Cable Tap to Horizontal Tape)

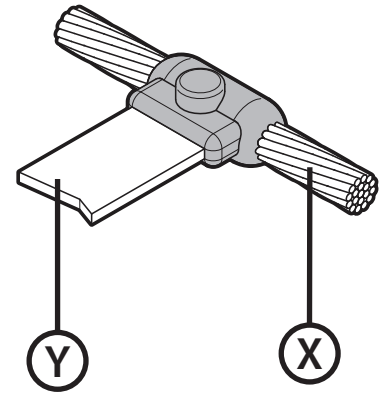
X mm ²	Y mm x mm	Mold Part Number	Weld Powder Size	Handle Clamp
16	20 x 3	CB4-4-16203L	45F10	HC04
16	25 x 3	CB4-4-16253L	45F10	HC04
25	20 x 3	CB4-4-25203L	32F10	HC04
25	25 x 3	CB4-4-25253L	32F10	HC04
35	20 x 3	CB4-4-35203L	45F10	HC04
35	25 x 3	CB4-4-35253L	45F10	HC04
50	20 x 3	CB4-4-50203L	45F10	HC04
50	25 x 3	CB4-4-50253L	45F10	HC04
8mmø	20 x 3	CB4-4-8SC203L	45F10	HC04
8mmø	25 x 3	CB4-4-8SC253L	45F10	HC04
70	25 x 3	CB4-4-70253L	65F10	HC04
70	25 x 4	CB4-4-70254L	65F10	HC04
70	25 x 6	CB4-4-70256L	90F10	HC04
10mmø	25 x 3	CB4-4-10SC253L	65F10	HC04
10mmø	25 x 4	CB4-4-10SC254L	65F10	HC04
10mmø	25 x 6	CB4-4-10SC256L	90F10	HC04
95	25 x 4	CB4-4-95254L	90F10	HC04
95	25 x 6	CB4-4-95256L	115F10	HC04
120	25 x 6	CB4-4-120256L	115F10	HC04
120	30 x 5	CB4-4-120305L	115F10	HC04
150	25 x 6	CB4-4-150256L	115F10	HC04
150	30 x 5	CB4-4-150305L	115F10	HC04
150	40 x 5	CB4-4-150405L	115F10	HC04
185	31 x 6	CB4-4-185316L	150F10	HC04
185	40 x 5	CB4-4-185405L	150F10	HC04
185	50 x 5	CB4-4-185505L	150F10	HC04
240	50 x 5	CB4-4-240505L	200F10	HC04
240	50 x 6	CB4-4-240506L	250F10	HC04
300	50 x 6	CB4-5-300506L	2 x 150F10	HC05



Cable to Bar

CB5 (Horizontal Tape Tap to Horizontal Cable Run)

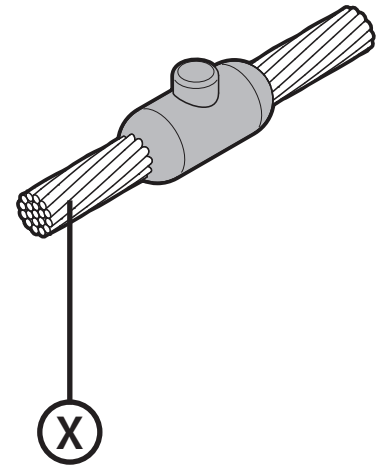
X mm ²	Y mm x mm	Mold Part Number	Weld Powder Size	Handle Clamp
16	20 x 3	CB5-4-16203L	45F10	HC04
16	25 x 3	CB5-4-16253L	65F10	HC04
25	20 x 3	CB5-4-25203L	45F10	HC04
25	25 x 3	CB5-4-25253L	65F10	HC04
35	20 x 3	CB5-4-35203L	45F10	HC04
35	25 x 3	CB5-4-35253L	65F10	HC04
50	20 x 3	CB5-4-50203L	65F10	HC04
50	25 x 3	CB5-4-50253L	65F10	HC04
8mmø	20 x 3	CB5-4-8SC203L	65F10	HC04
8mmø	25 x 3	CB5-4-8SC253L	65F10	HC04
70	25 x 3	CB5-4-70253L	90F10	HC04
70	25 x 4	CB5-4-70254L	115F10	HC04
70	25 x 6	CB5-4-70256L	115F10	HC04
10mmø	25 x 3	CB5-4-10SC253L	115F10	HC04
10mmø	25 x 4	CB5-4-10SC254L	150F10	HC04
10mmø	25 x 6	CB5-4-10SC256L	150F10	HC04
95	25 x 4	CB5-4-95254L	150F10	HC04
95	25 x 6	CB5-4-95256L	150F10	HC04
120	25 x 6	CB5-4-120256L	150F10	HC04
120	30 x 5	CB5-4-120305L	200F10	HC04
150	25 x 6	CB5-4-150256L	200F10	HC04
150	30 x 5	CB5-4-150305L	200F10	HC04
150	40 x 5	CB5-4-150405L	250F10	HC04
185	31 x 6	CB5-4-185316L	250F10	HC04
185	40 x 5	CB5-4-185405L	250F10	HC04
185	50 x 5	CB5-5-185505L	2 x 150F10	HC05
240	50 x 5	CB5-5-240505L	2 x 150F10	HC05
240	50 x 6	CB5-5-240506L	2 x 200F10	HC05
300	50 x 6	CB5-5-300506L	2 x 250F10	HC05



■ Cable to Cable

CC1 (Horizontal Cable End to End)

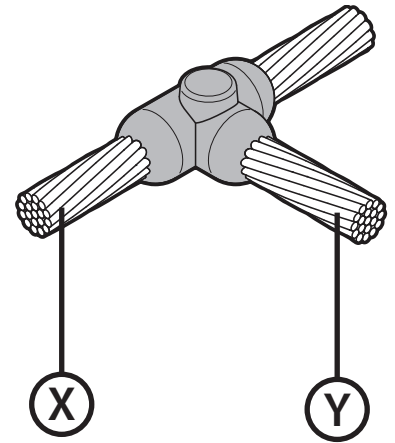
X mm ²	Mold Part Number	Weld Powder Size	Handle Clamp
16	CC1-4-16L	32F10	HC04
25	CC1-4-25L	32F10	HC04
35	CC1-4-35L	32F10	HC04
50	CC1-4-50L	45F10	HC04
8mmø	CC1-4-8SCL	45F10	HC04
70	CC1-4-70L	65F10	HC04
10mmø	CC1-4-10SCL	65F10	HC04
95	CC1-4-95L	90F10	HC04
120	CC1-4-120L	115F10	HC04
150	CC1-4-150L	115F10	HC04
185	CC1-4-185L	150F10	HC04
240	CC1-4-240L	200F10	HC04
300	CC1-4-300L	250F10	HC04
400	CC1-5-400L	2 x 150F10	HC05



Cable to Cable

CC2 (Horizontal Cable Tee Joint)

X mm ²	Y mm ²	Mold Part Number	Weld Powder Size	Handle Clamp
16	16	CC2-4-1616L	45F10	HC04
25	25	CC2-4-2525L	45F10	HC04
35	35	CC2-4-3535L	45F10	HC04
35	25	CC2-4-3525L	45F10	HC04
8mmø	8mmø	CC2-4-88SCL	65F10	HC04
50	50	CC2-4-5050L	90F10	HC04
50	35	CC2-4-5035L	65F10	HC04
50	25	CC2-4-5025L	65F10	HC04
10mmø	10mmø	CC2-4-1010SCL	90F10	HC04
70	70	CC2-4-7070L	90F10	HC04
70	50	CC2-4-7050L	90F10	HC04
70	35	CC2-4-7035L	65F10	HC04
70	25	CC2-4-7025L	65F10	HC04
95	95	CC2-4-9595L	115F10	HC04
95	70	CC2-4-9570L	90F10	HC04
95	50	CC2-4-9550L	90F10	HC04
95	35	CC2-4-9535L	90F10	HC04
120	120	CC2-4-120120L	150F10	HC04
120	95	CC2-4-12095L	150F10	HC04
120	70	CC2-4-12070L	90F10	HC04
120	50	CC2-4-12050L	90F10	HC04
150	150	CC2-4-150150L	200F10	HC04
150	120	CC2-4-150120L	150F10	HC04
150	95	CC2-4-15095L	150F10	HC04
150	70	CC2-4-15070L	90F10	HC04
185	185	CC2-4-185185L	200F10	HC04
185	150	CC2-4-185150L	200F10	HC04
185	120	CC2-4-185120L	200F10	HC04

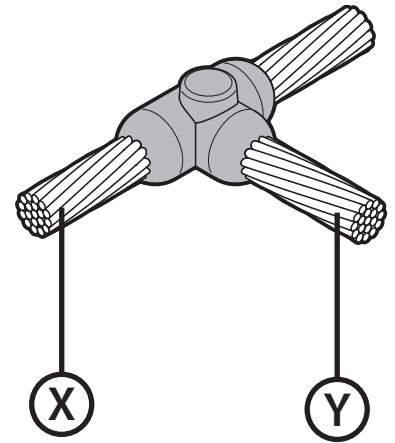


Continued...

Cable to Cable

CC2 (Horizontal Cable Tee Joint)

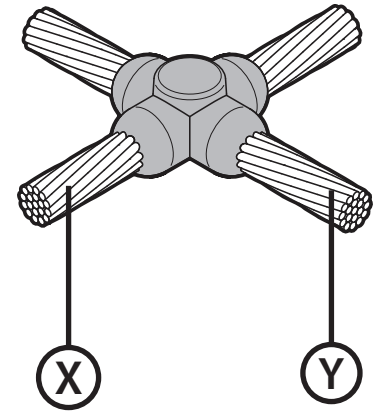
X mm ²	Y mm ²	Mold Part Number	Weld Powder Size	Handle Clamp
185	95	CC2-4-18595L	150F10	HC04
240	120	CC2-4-240120L	200F10	HC04
240	150	CC2-4-240150L	200F10	HC04
240	150	CC2-4-240150L	200F10	HC04
240	240	CC2-4-240240L	2 x 150F10	HC04
300	300	CC2-5-300300L	2 x 200F10	HC05
300	240	CC2-5-300240L	2 x 200F10	HC05
300	185	CC2-4-300185L	250F10	HC04



Cable to Cable

CC4 (Horizontal Cable Cross Joint)

X mm ²	Y mm ²	Mold Part Number	Weld Powder Size	Handle Clamp
16	16	CC4-4-1616L	65F10	HC04
25	25	CC4-4-2525L	45F10	HC04
35	35	CC4-4-3535L	65F10	HC04
35	25	CC4-4-3525L	65F10	HC04
8mmø	8mmø	CC4-4-88SCL	90F10	HC04
50	50	CC4-4-5050L	90F10	HC04
50	35	CC4-4-5035L	90F10	HC04
50	25	CC4-4-5025L	90F10	HC04
10mmø	10mmø	CC4-4-1010SCL	115F10	HC04
70	70	CC4-4-7070L	115F10	HC04
70	50	CC4-4-7050L	115F10	HC04
70	35	CC4-4-7035L	115F10	HC04
70	25	CC4-4-7025L	115F10	HC04
95	95	CC4-4-9595L	150F10	HC04
95	70	CC4-4-9570L	150F10	HC04
95	50	CC4-4-9550L	115F10	HC04
95	35	CC4-4-9535L	115F10	HC04
120	120	CC4-4-120120L	200F10	HC04
120	95	CC4-4-12095L	200F10	HC04
120	70	CC4-4-12070L	150F10	HC04
120	50	CC4-4-12050L	150F10	HC04
150	150	CC4-4-150150L	250F10	HC04
150	120	CC4-4-150120L	250F10	HC04
150	95	CC4-4-15095L	200F10	HC04
150	70	CC4-4-15070L	150F10	HC04
185	185	CC4-4-185185L	2 x 150F10	HC04
185	150	CC4-4-185150L	250F10	HC04
185	120	CC4-4-185120L	250F10	HC04

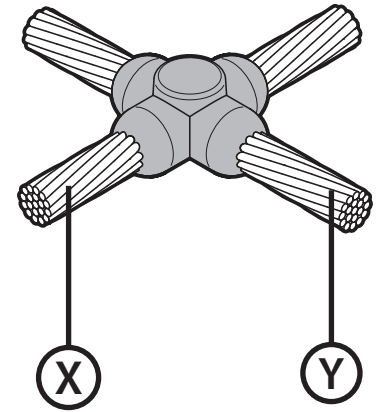


Continued...

Cable to Cable

CC4 (Horizontal Cable Cross Joint)

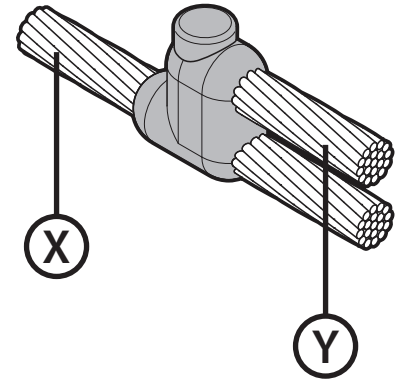
X mm ²	Y mm ²	Mold Part Number	Weld Powder Size	Handle Clamp
185	95	CC4-4-18595L	200F10	HC04
185	70	CC4-4-18570L	200F10	HC04
240	240	CC4-5-240240L	2 x 250F10	HC05
240	185	CC4-5-240185L	2 x 200F10	HC05
240	120	CC4-5-240120L	2 x 150F10	HC05
240	150	CC4-5-240150L	2 x 200F10	HC05
300	300	CC4-5-300300L	2 x 200F10	HC05
300	240	CC4-5-300240L	2 x 200F10	HC05
300	185	CC4-4-300185L	250F10	HC04



Cable to Cable

CC6 (Horizontal Parallel Cable Tap)

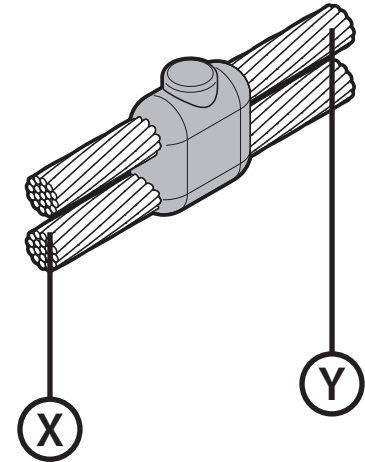
X mm ²	Y mm ²	Mold Part Number	Weld Powder Size	Handle Clamp
16	16	CC6-4-1616L	65F10	HC04
25	25	CC6-4-2525L	45F10	HC04
35	35	CC6-4-3535L	65F10	HC04
35	25	CC6-4-3525L	65F10	HC04
50	50	CC6-4-5050L	90F10	HC04
50	35	CC6-4-5035L	65F10	HC04
50	25	CC6-4-5025L	65F10	HC04
70	70	CC6-4-7070L	115F10	HC04
70	50	CC6-4-7050L	115F10	HC04
70	35	CC6-4-7035L	90F10	HC04
70	25	CC6-4-7025L	90F10	HC04
95	95	CC6-4-9595L	150F10	HC04
95	70	CC6-4-9570L	115F10	HC04
95	50	CC6-4-9550L	115F10	HC04
95	35	CC6-4-9535L	115F10	HC04
120	120	CC6-4-120120L	200F10	HC04
120	95	CC6-4-12095L	200F10	HC04
120	70	CC6-4-12070L	150F10	HC04
120	50	CC6-4-12050L	115F10	HC04



Cable to Cable

CC7 (Horizontal Parallel Thru Cable)

X mm ²	Y mm ²	Mold Part Number	Weld Powder Size	Handle Clamp
16	16	CC7-4-1616L	65F10	HC04
25	25	CC7-4-2525L	45F10	HC04
35	35	CC7-4-3535L	65F10	HC04
35	25	CC7-4-3525L	65F10	HC04
8mmø	8mmø	CC7-4-88SCL	90F10	HC04
50	50	CC7-4-5050L	90F10	HC04
50	35	CC7-4-5035L	90F10	HC04
50	25	CC7-4-5025L	65F10	HC04
10mmø	10mmø	CC7-4-1010SCL	115F10	HC04
70	70	CC7-4-7070L	115F10	HC04
70	50	CC7-4-7050L	115F10	HC04
70	35	CC7-4-7035L	90F10	HC04
70	25	CC7-4-7025L	90F10	HC04
95	95	CC7-4-9595L	150F10	HC04
95	70	CC7-4-9570L	115F10	HC04
95	50	CC7-4-9550L	115F10	HC04
95	35	CC7-4-9535L	115F10	HC04
120	120	CC7-4-120120L	200F10	HC04
120	95	CC7-4-12095L	200F10	HC04
120	70	CC7-4-12070L	150F10	HC04
120	50	CC7-4-12050L	150F10	HC04
150	150	CC7-5-150150L	2 x 150F10	HC05
150	120	CC7-4-150120L	250F10	HC04
150	95	CC7-4-15095L	200F10	HC04
150	70	CC7-4-15070L	150F10	HC04
185	185	CC7-5-185185L	2 x 150F10	HC05
185	150	CC7-5-185150L	2 x 150F10	HC05
185	120	CC7-4-185120L	250F10	HC04

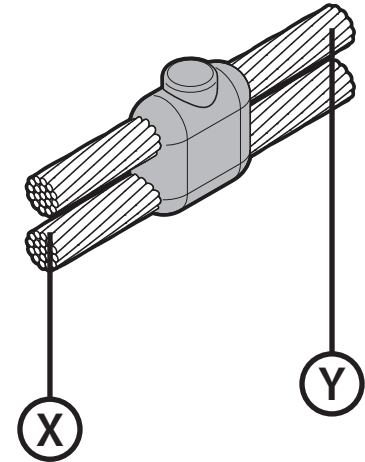


Continued...

Cable to Cable

CC7 (Horizontal Parallel Thru Cable)

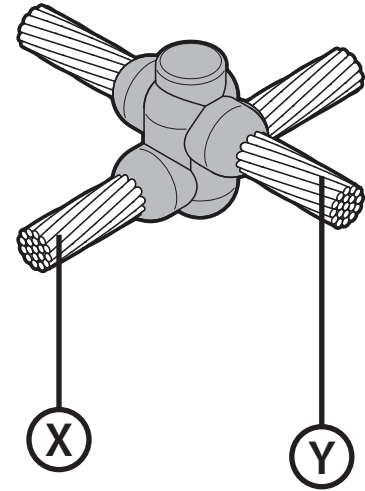
X mm ²	Y mm ²	Mold Part Number	Weld Powder Size	Handle Clamp
185	95	CC7-4-18595L	200F10	HC04
240	240	CC7-5-240240L	2 x 200F10	HC05
240	185	CC7-5-240185L	2 x 200F10	HC05
240	150	CC7-5-240150L	2 x 150F10	HC05
240	120	CC7-4-240120L	250F10	HC04
300	300	CC7-5-300300L	2 x 250F10	HC05
300	240	CC7-5-300240L	2 x 250F10	HC05
300	185	CC7-5-300185L	2 x 200F10	HC05
300	150	CC7-5-300150L	2 x 150F10	HC05



Cable to Cable

CC11 (Horizontal to Horizontal Cable Cross)

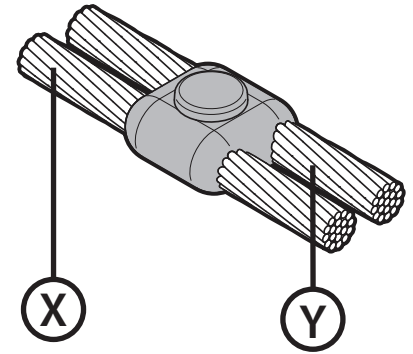
X mm ²	Y mm ²	Mold Part Number	Weld Powder Size	Handle Clamp
50	50	CC11-7-5050L	150F10	HC07
70	70	CC11-7-7070L	200F10	HC07
95	95	CC11-7-9595L	250F10	HC07
120	120	CC11-7-120120L	2 x 150F10	HC07
150	150	CC11-8-150150L	2 x 200F10	HC08
185	185	CC11-8-185185L	2 x 250F10	HC08
240	240	CC11-8-240240L	3 x 250F10	HC08
8mmø	8mmø	CC11-7-8SC8SCL	150F10	HC07
10mmø	10mmø	CC11-7-1010SCL	150F10	HC07



Cable to Cable

CC14 (Horizontal Parallel Thru Cable Tap)

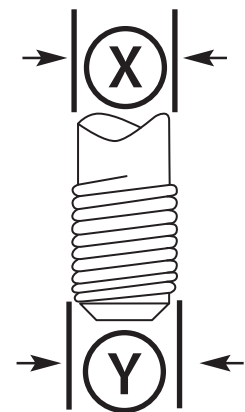
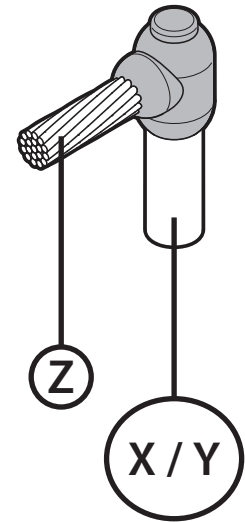
X mm ²	Y mm ²	Mold Part Number	Weld Powder Size	Handle Clamp
16	16	CC14-4-1616L	65F10	HC04
25	25	CC14-4-2525L	45F10	HC04
35	35	CC14-4-3535L	65F10	HC04
35	25	CC14-4-3525L	65F10	HC04
8mmø	8mmø	CC14-4-88SCL	90F10	HC04
50	50	CC14-4-5050L	90F10	HC04
50	35	CC14-4-5035L	90F10	HC04
50	25	CC14-4-5025L	90F10	HC04
10mmø	10mmø	CC14-4-1010SCL	115F10	HC04
70	70	CC14-4-7070L	115F10	HC04
70	50	CC14-4-7050L	115F10	HC04
70	35	CC14-4-7035L	90F10	HC04
70	25	CC14-4-7025L	90F10	HC04
95	95	CC14-4-9595L	150F10	HC04
95	70	CC14-4-9570L	150F10	HC04
95	50	CC14-4-9550L	150F10	HC04
95	35	CC14-4-9535L	115F10	HC04
120	120	CC14-4-120120L	200F10	HC04
120	95	CC14-4-12095L	200F10	HC04
120	70	CC14-4-12070L	200F10	HC04
120	50	CC14-4-12050L	150F10	HC04



Cable to Earth Rod

CR1 (Horizontal Cable to Rod 90 Deg Joint)

X mm Ø	Y inches Ø	Z mm ²	Mold Part Number	Weld Powder Size	Handle Clamp
12.7	1/2"	16	CR1-4-12716L	65F10	HC04
12.7	1/2"	25	CR1-4-12725L	65F10	HC04
12.7	1/2"	35	CR1-4-12735L	65F10	HC04
12.7	1/2"	50	CR1-4-12750L	65F10	HC04
12.7	1/2"	8mmØ	CR1-4-1278SCL	65F10	HC04
12.7	1/2"	70	CR1-4-12770L	90F10	HC04
12.7	1/2"	95	CR1-4-12795L	90F10	HC04
12.7	1/2"	120	CR1-4-127120L	90F10	HC04
14.2	5/8"	16	CR1-4-14216L	65F10	HC04
14.2	5/8"	25	CR1-4-14225L	65F10	HC04
14.2	5/8"	35	CR1-4-14235L	65F10	HC04
14.2	5/8"	50	CR1-4-14250L	90F10	HC04
14.2	5/8"	8mmØ	CR1-4-1428SCL	90F10	HC04
14.2	5/8"	70	CR1-4-14270L	90F10	HC04
14.2	5/8"	95	CR1-4-14295L	90F10	HC04
14.2	5/8"	120	CR1-4-142120L	90F10	HC04
14.2	5/8"	150	CR1-4-142150L	115F10	HC04
14.2	5/8"	185	CR1-4-142185L	115F10	HC04
14.2	5/8"	240	CR1-4-142240L	150F10	HC04
17.2	3/4"	16	CR1-4-17216L	65F10	HC04
17.2	3/4"	25	CR1-4-17225L	65F10	HC04
17.2	3/4"	35	CR1-4-17235L	65F10	HC04
17.2	3/4"	50	CR1-4-17250L	90F10	HC04
17.2	3/4"	8mmØ	CR1-4-1728SCL	90F10	HC04
17.2	3/4"	70	CR1-4-17270L	90F10	HC04
17.2	3/4"	95	CR1-4-17295L	90F10	HC04
17.2	3/4"	120	CR1-4-172120L	90F10	HC04
17.2	3/4"	150	CR1-4-172150L	115F10	HC04

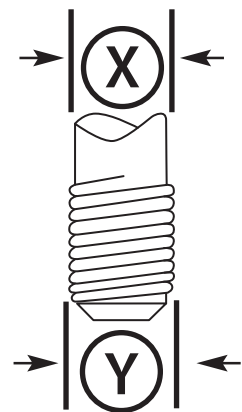
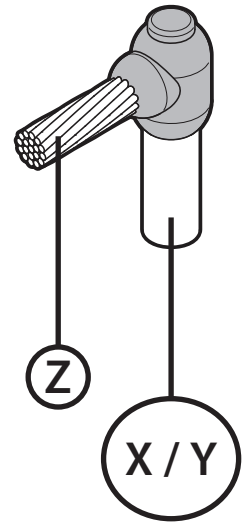


Continued...

Cable to Earth Rod

CR1 (Horizontal Cable to Rod 90 Deg Joint)

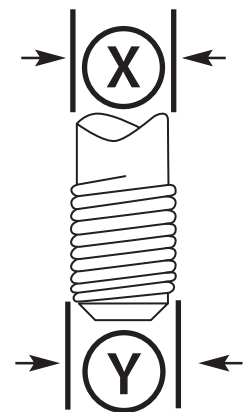
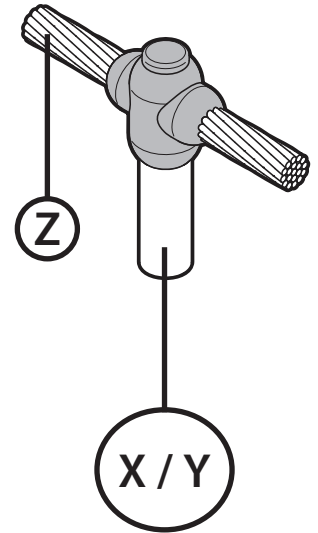
X mm Ø	Y inches Ø	Z mm ²	Mold Part Number	Weld Powder Size	Handle Clamp
17.2	3/4"	185	CR1-4-172185L	115F10	HC04
17.2	3/4"	240	CR1-4-172240L	150F10	HC04
17.2	3/4"	300	CR1-4-172300L	200F10	HC04



Cable to Earth Rod

CR2 (Horizontal Cable to Rod Thru Tee Joint)

X mm Ø	Y inches Ø	Z mm ²	Mold Part Number	Weld Powder Size	Handle Clamp
12.7	1/2"	16	CR2-4-12716L	90F10	HC04
12.7	1/2"	25	CR2-4-12725L	90F10	HC04
12.7	1/2"	35	CR2-4-12735L	90F10	HC04
12.7	1/2"	50	CR2-4-12750L	90F10	HC04
12.7	1/2"	8mmØ	CR2-4-1278SCL	90F10	HC04
12.7	1/2"	70	CR2-4-12770L	90F10	HC04
12.7	1/2"	95	CR2-4-12795L	115F10	HC04
12.7	1/2"	120	CR2-4-127120L	150F10	HC04
14.2	5/8"	16	CR2-4-14216L	90F10	HC04
14.2	5/8"	25	CR2-4-14225L	90F10	HC04
14.2	5/8"	35	CR2-4-14235L	90F10	HC04
14.2	5/8"	50	CR2-4-14250L	90F10	HC04
14.2	5/8"	8mmØ	CR2-4-1428SCL	90F10	HC04
14.2	5/8"	70	CR2-4-14270L	115F10	HC04
14.2	5/8"	95	CR2-4-14295L	115F10	HC04
14.2	5/8"	120	CR2-4-142120L	150F10	HC04
14.2	5/8"	150	CR2-4-142150L	200F10	HC04
14.2	5/8"	185	CR2-4-142185L	200F10	HC04
14.2	5/8"	240	CR2-4-142240L	250F10	HC04
17.2	3/4"	16	CR2-4-17216L	90F10	HC04
17.2	3/4"	25	CR2-4-17225L	90F10	HC04
17.2	3/4"	35	CR2-4-17235L	90F10	HC04
17.2	3/4"	50	CR2-4-17250L	115F10	HC04
17.2	3/4"	8mmØ	CR2-4-1728SCL	115F10	HC04
17.2	3/4"	70	CR2-4-17270L	115F10	HC04
17.2	3/4"	95	CR2-4-17295L	115F10	HC04
17.2	3/4"	120	CR2-4-172120L	150F10	HC04
17.2	3/4"	150	CR2-4-172150L	200F10	HC04

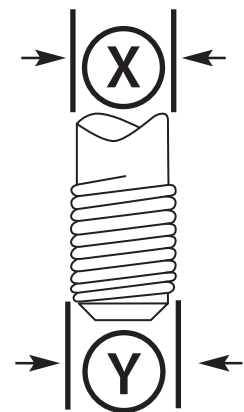
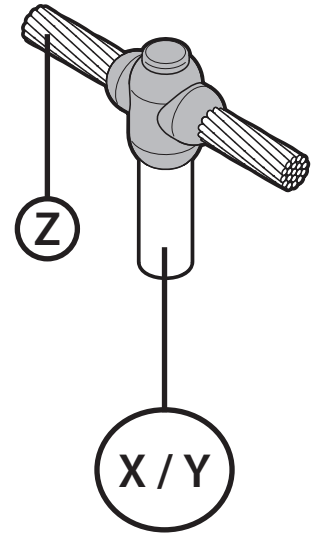


Continued...

Cable to Earth Rod

CR2 (Horizontal Cable to Rod Thru Tee Joint)

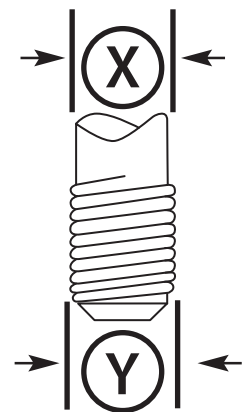
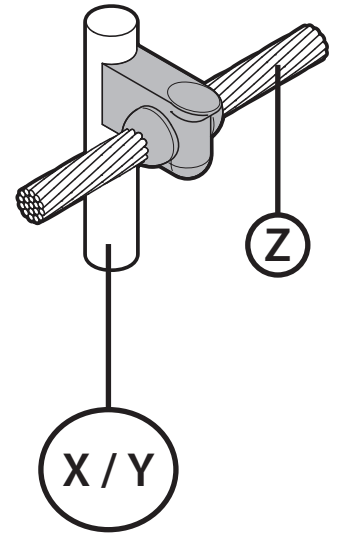
X mm Ø	Y inches Ø	Z mm ²	Mold Part Number	Weld Powder Size	Handle Clamp
17.2	3/4"	185	CR2-4-172185L	200F10	HC04
17.2	3/4"	240	CR2-4-172240L	250F10	HC04
17.2	3/4"	300	CR2-5-172300L	2 x 150F10	HC05



Cable to Earth Rod

CR3 (Horizontal Cable Thru to Side of Rod)

X mm Ø	Y inches Ø	Z mm ²	Mold Part Number	Weld Powder Size	Handle Clamp
12.7	1/2"	16	CR3-9-12716L	90F10	HC04
12.7	1/2"	25	CR3-9-12725L	90F10	HC04
12.7	1/2"	35	CR3-9-12735L	90F10	HC04
12.7	1/2"	50	CR3-9-12750L	115F10	HC04
12.7	1/2"	8mmØ	CR3-9-1278SCL	115F10	HC04
12.7	1/2"	70	CR3-9-12770L	115F10	HC04
12.7	1/2"	95	CR3-9-12795L	115F10	HC04
12.7	1/2"	120	CR3-9-127120L	150F10	HC04
14.2	5/8"	16	CR3-9-14216L	90F10	HC04
14.2	5/8"	25	CR3-9-14225L	90F10	HC04
14.2	5/8"	35	CR3-9-14235L	90F10	HC04
14.2	5/8"	50	CR3-9-14250L	115F10	HC04
14.2	5/8"	8mmØ	CR3-9-1428SCL	115F10	HC04
14.2	5/8"	70	CR3-9-14270L	115F10	HC04
14.2	5/8"	95	CR3-9-14295L	115F10	HC04
14.2	5/8"	120	CR3-9-142120L	150F10	HC04
14.2	5/8"	150	CR3-9-142150L	150F10	HC04
14.2	5/8"	185	CR3-9-142185L	250F10	HC04
14.2	5/8"	240	CR3-10-142240L	2 x 200F10	HC05
17.2	3/4"	16	CR3-9-17216L	90F10	HC04
17.2	3/4"	25	CR3-9-17225L	90F10	HC04
17.2	3/4"	35	CR3-9-17235L	90F10	HC04
17.2	3/4"	50	CR3-9-17250L	115F10	HC04
17.2	3/4"	8mmØ	CR3-9-1728SCL	115F10	HC04
17.2	3/4"	70	CR3-9-17270L	150F10	HC04
17.2	3/4"	95	CR3-9-17295L	150F10	HC04
17.2	3/4"	120	CR3-9-172120L	200F10	HC04
17.2	3/4"	150	CR3-9-172150L	250F10	HC04

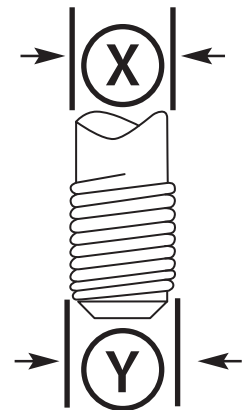
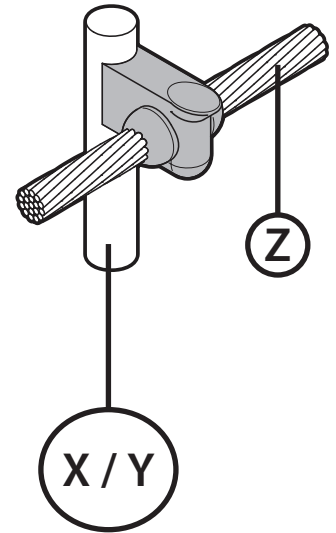


Continued...

Cable to Earth Rod

CR3 (Horizontal Cable Thru to Side of Rod)

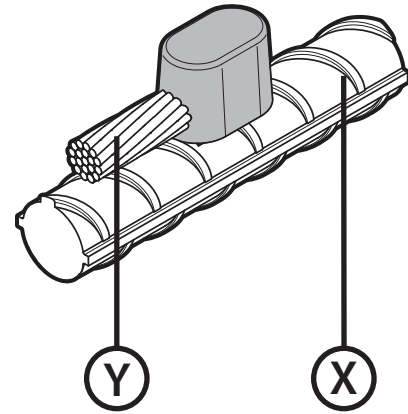
X mm Ø	Y inches Ø	Z mm ²	Mold Part Number	Weld Powder Size	Handle Clamp
17.2	3/4"	185	CR3-10-172185L	2 x 200F10	HC05
17.2	3/4"	240	CR3-10-172240L	2 x 250F10	HC05
17.2	3/4"	300	CR3-10-172300L	3 x 200F10	HC05



■ Cable to Reinforcing Bar

CRE1 (Horizontal Parallel Cable to Rebar Tap)

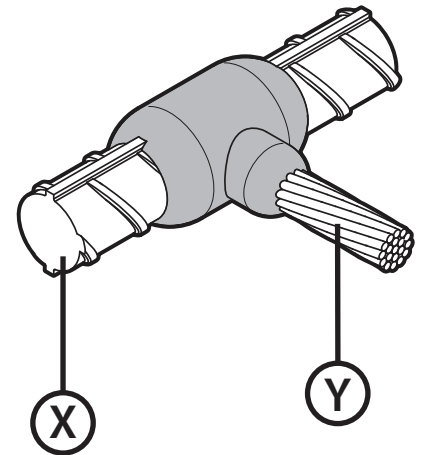
X mm Ø	Y mm ²	Mold Part Number	Weld Powder Size	Handle Clamp
10 - 40	16	CRE1-3-16L	45F10	HC03B
10 - 40	25	CRE1-3-25L	45F10	HC03B
10 - 40	35	CRE1-3-35L	45F10	HC03B
10 - 40	8mmØ	CRE1-3-8SCL	90F10	HC03B
10 - 40	50	CRE1-3-50L	90F10	HC03B
10 - 40	10mmØ	CRE1-3-10SCL	90F10	HC03B
10 - 40	70	CRE1-3-70L	90F10	HC03B
10 - 40	95	CRE1-3-95L	90F10	HC03B
10 - 40	120	CRE1-3-120L	90F10	HC03B



Cable to Reinforcing Bar

CRE2 (Horizontal Cable Tap to Horizontal Rebar)

X mm Ø	Y mm ²	Mold Part Number	Weld Powder Size	Handle Clamp
16	16	CRE2-4-16R16L	90F10	HC04
16	25	CRE2-4-16R25L	90F10	HC04
16	35	CRE2-4-16R35L	90F10	HC04
16	8mmØ	CRE2-4-16R8SCL	115F10	HC04
16	50	CRE2-4-16R50L	115F10	HC04
16	10mmØ	CRE2-4-16R10SCL	115F10	HC04
16	70	CRE2-4-16R70L	115F10	HC04
16	95	CRE2-4-16R95L	150F10	HC04
16	120	CRE2-4-16R120L	150F10	HC04
16	150	CRE2-4-16R150L	200F10	HC04
16	185	CRE2-4-16R185L	200F10	HC04
16	240	CRE2-4-16R240L	250F10	HC04
16	300	CRE2-4-16R300L	2 x 150F10	HC04
18	16	CRE2-4-18R16L	115F10	HC04
18	25	CRE2-4-18R25L	115F10	HC04
18	35	CRE2-4-18R35L	115F10	HC04
18	8mmØ	CRE2-4-18R8SCL	150F10	HC04
18	50	CRE2-4-18R50L	150F10	HC04
18	10mmØ	CRE2-4-18R10SCL	150F10	HC04
18	70	CRE2-4-18R70L	150F10	HC04
18	95	CRE2-4-18R95L	150F10	HC04
18	120	CRE2-4-18R120L	200F10	HC04
18	150	CRE2-4-18R150L	200F10	HC04
18	185	CRE2-4-18R185L	200F10	HC04
18	240	CRE2-4-18R240L	250F10	HC04
18	300	CRE2-4-18R300L	2 x 150F10	HC04
20	16	CRE2-4-20R16L	115F10	HC04
20	25	CRE2-4-20R25L	115F10	HC04

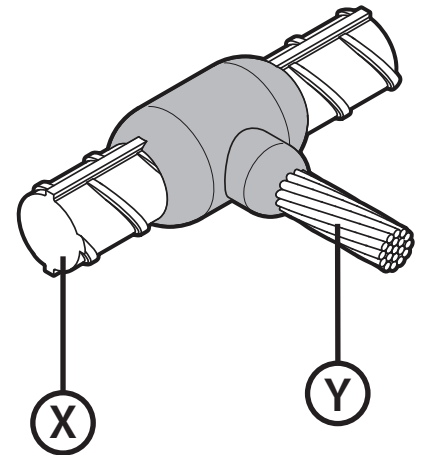


Continued...

Cable to Reinforcing Bar

CRE2 (Horizontal Cable Tap to Horizontal Rebar)

X mm Ø	Y mm ²	Mold Part Number	Weld Powder Size	Handle Clamp
20	35	CRE2-4-20R35L	115F10	HC04
20	8mmØ	CRE2-4-20R8SCL	150F10	HC04
20	50	CRE2-4-20R50L	150F10	HC04
20	10mmØ	CRE2-4-20R10SCL	150F10	HC04
20	70	CRE2-4-20R70L	150F10	HC04
20	95	CRE2-4-20R95L	200F10	HC04
20	120	CRE2-4-20R120L	200F10	HC04
20	150	CRE2-4-20R150L	200F10	HC04
20	185	CRE2-4-20R185L	250F10	HC04
20	240	CRE2-4-20R240L	2 x 150F10	HC04
20	300	CRE2-5-20R300L	2 x 200F10	HC05
25	16	CRE2-4-25R16L	200F10	HC04
25	25	CRE2-4-25R25L	200F10	HC04
25	35	CRE2-4-25R35L	200F10	HC04
25	8mmØ	CRE2-4-25R8SCL	200F10	HC04
25	50	CRE2-4-25R50L	200F10	HC04
25	10mmØ	CRE2-4-25R10SCL	250F10	HC04
25	50	CRE2-4-25R50L	200F10	HC04
25	70	CRE2-4-25R70L	250F10	HC04
25	95	CRE2-4-25R95L	250F10	HC04
25	120	CRE2-4-25R120L	250F10	HC04
25	150	CRE2-4-25R150L	2 x 150F10	HC04
25	185	CRE2-5-25R185L	2 x 150F10	HC05
25	240	CRE2-5-25R240L	2 x 200F10	HC05
25	300	CRE2-5-25R300L	2 x 200F10	HC05
30	16	CRE2-4-30R16L	250F10	HC04
30	25	CRE2-4-30R25L	250F10	HC04
30	35	CRE2-4-30R35L	250F10	HC04

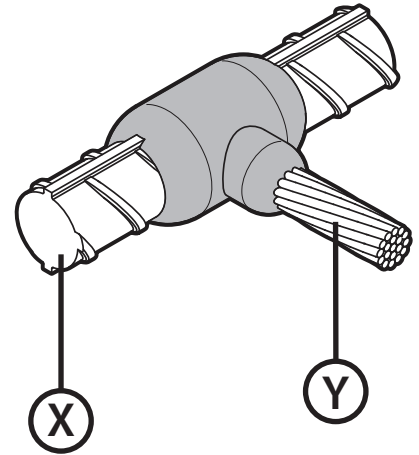


Continued...

■ Cable to Reinforcing Bar

CRE2 (Horizontal Cable Tap to Horizontal Rebar)

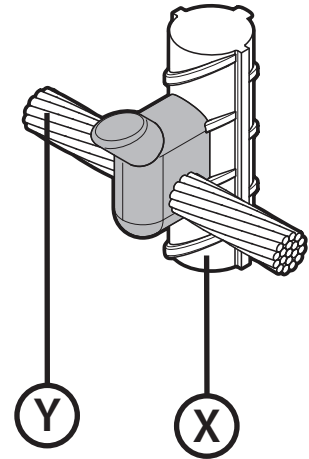
X mm Ø	Y mm ²	Mold Part Number	Weld Powder Size	Handle Clamp
30	8mmØ	CRE2-4-30R8SCL	2 x 150F10	HC04
30	50	CRE2-4-30R50L	2 x 150F10	HC04
30	10mmØ	CRE2-4-30R10SCL	2 x 150F10	HC04
30	70	CRE2-4-30R70L	2 x 150F10	HC04
30	95	CRE2-5-30R95L	2 x 150F10	HC05
30	120	CRE2-5-30R120L	2 x 200F10	HC05
30	150	CRE2-5-30R150L	2 x 200F10	HC05
30	185	CRE2-5-30R185L	2 x 250F10	HC05
30	240	CRE2-5-30R240L	3 x 200F10	HC05
30	300	CRE2-5-30R300L	3 x 200F10	HC05



Cable to Reinforcing Bar

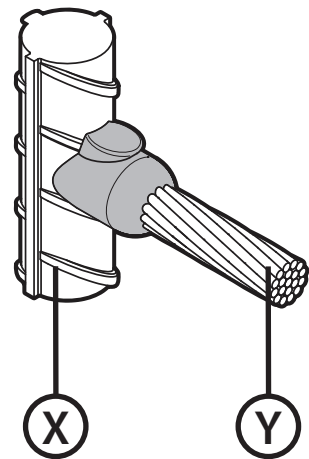
CRE3 (Horizontal Thru Cable to Vertical Rebar)

X mm Ø	Y mm ²	Mold Part Number	Weld Powder Size	Handle Clamp
10 - 40	16	CRE3-3-16L	45F10	HC03A
10 - 40	25	CRE3-3-25L	45F10	HC03A
10 - 40	35	CRE3-3-35L	45F10	HC03A
10 - 40	8mmØ	CRE3-3-8SCL	90F10	HC03A
10 - 40	50	CRE3-3-50L	90F10	HC03A
10 - 40	10mmØ	CRE3-3-10SCL	90F10	HC03A
10 - 40	70	CRE3-3-70L	90F10	HC03A
10 - 40	95	CRE3-3-95L	90F10	HC03A
10 - 40	120	CRE3-3-120L	90F10	HC03A





CRE6 (Horizontal Cable Tap to Vertical Rebar)

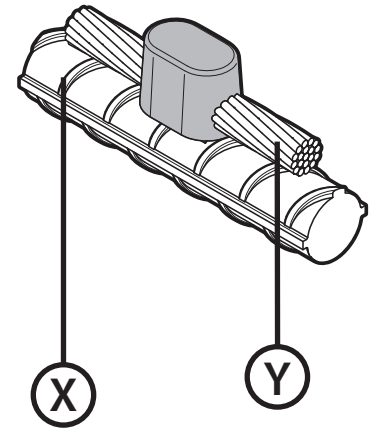
X mm Ø	Y mm ²	Mold Part Number	Weld Powder Size	Handle Clamp
10 - 40	16	CRE6-3-16L	45F10	HC03A
10 - 40	25	CRE6-3-25L	45F10	HC03A
10 - 40	35	CRE6-3-35L	45F10	HC03A
10 - 40	8mmØ	CRE6-3-8SCL	65F10	HC03A
10 - 40	50	CRE6-3-50L	65F10	HC03A
10 - 40	10mmØ	CRE6-3-10SCL	90F10	HC03A
10 - 40	70	CRE6-3-70L	90F10	HC03A
10 - 40	95	CRE6-4-95L	90F10	HC03A
10 - 40	120	CRE6-4-120L	115F10	HC03A



■ Cable to Reinforcing Bar

CRE17 (Horizontal Parallel Thru Cable to Horizontal Rebar)

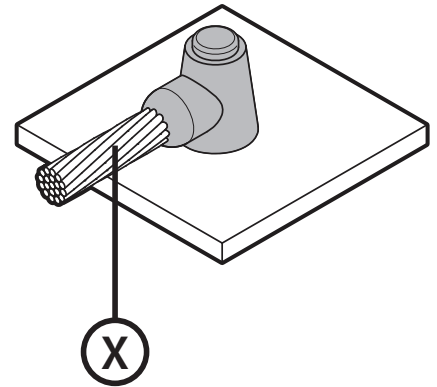
 mm Ø	 mm ²	Mold Part Number	Weld Powder Size	Handle Clamp
10 - 40	16	CRE17-3-16L	45F10	HC03B
10 - 40	25	CRE17-3-25L	45F10	HC03B
10 - 40	35	CRE17-3-35L	45F10	HC03B
10 - 40	8mmØ	CRE17-3-8SCL	90F10	HC03B
10 - 40	50	CRE17-3-50L	90F10	HC03B
10 - 40	10mmØ	CRE17-3-10SCL	90F10	HC03B
10 - 40	70	CRE17-3-70L	90F10	HC03B
10 - 40	95	CRE17-3-95L	90F10	HC03B
10 - 40	120	CRE17-3-120L	90F10	HC03B



Cable to Steel Surface & Pipe

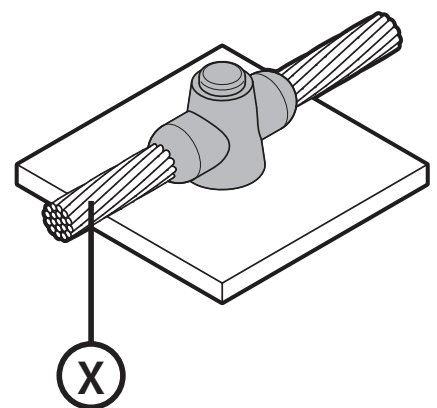
CS1 (Horizontal Cable to Horizontal Steel Surface (Off Surface))

X mm ²	Mold Part Number	Weld Powder Size	Handle Clamp
16			
25	USE CS8		
35			
8mmø	CS1-4-8SCL	90F10	HC04
50	CS1-4-50L	90F10	HC04
10mmø	CS1-4-10SCL	90F10	HC04
70	CS1-4-70L	90F10	HC04
95	CS1-4-95L	115F10	HC04
120	CS1-4-120L	115F10	HC04
150	CS1-4-150L	150F10	HC04
185	CS1-4-185L	200F10	HC04
240	CS1-4-240L	200F10	HC04
300	CS1-4-300L	250F10	HC04



CS2 (Horizontal Thru Cable to Horizontal Steel Surface (Off Surface))

X mm ²	Mold Part Number	Weld Powder Size	Handle Clamp
16			
25	USE CS9		
35			
8mmø	CS2-4-8SCL	90F10	HC04
50	CS2-4-50L	90F10	HC04
10mmø	CS2-4-10SCL	115F10	HC04
70	CS2-4-70L	115F10	HC04
95	CS2-4-95L	115F10	HC04
120	CS2-4-120L	150F10	HC04
150	CS2-4-150L	200F10	HC04

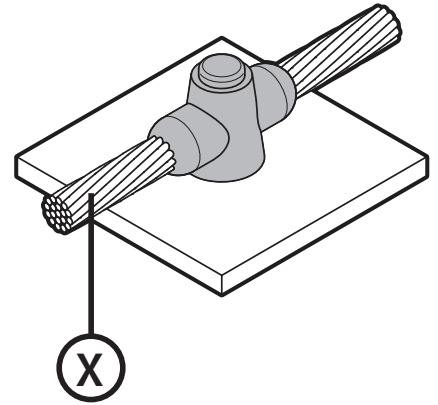


Continued...

Cable to Steel Surface & Pipe

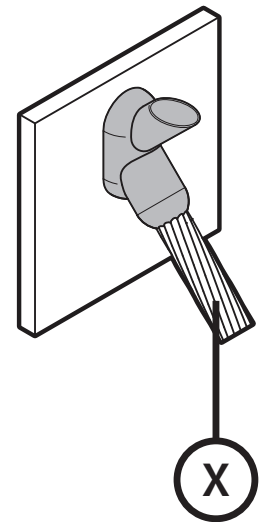
CS2 (Horizontal Thru Cable to Horizontal Steel Surface (Off Surface))

X mm ²	Mold Part Number	Weld Powder Size	Handle Clamp
185	CS2-4-185L	250F10	HC04
240	CS2-5-240L	2 x 150F10	HC05
300	CS2-5-300L	2 x 200F10	HC05



CS3 (45 Deg Angular Cable Drop to Vertical Steel Surface)

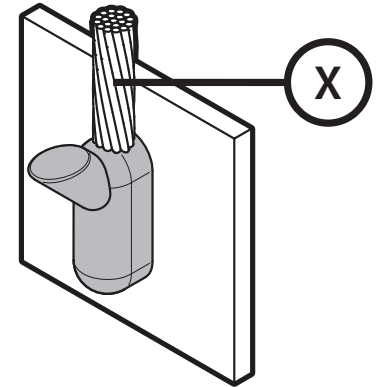
X mm ²	Mold Part Number	Weld Powder Size	Handle Clamp
16	CS3-4-16L	45F10	HC04
25	CS3-4-25L	45F10	HC04
35	CS3-4-35L	45F10	HC04
8mm \emptyset	CS3-4-8SCL	65F10	HC04
50	CS3-4-50L	65F10	HC04
10mm \emptyset	CS3-4-10SCL	90F10	HC04
70	CS3-4-70L	90F10	HC04
95	CS3-4-95L	115F10	HC04
120	CS3-4-120L	115F10	HC04
150	CS3-4-150L	115F10	HC04
185	CS3-4-185L	200F10	HC04
240	CS3-4-240L	200F10	HC04
300	CS3-4-300L	250F10	HC04



Cable to Steel Surface & Pipe

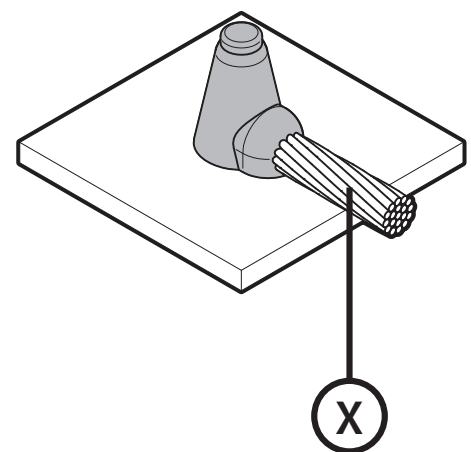
CS7 (Overhead Vertical Tap Cable to Vertical Steel Surface (On Surface))

X mm ²	Mold Part Number	Weld Powder Size	Handle Clamp
16	CS7-4-16L	65F10	HC04
25	CS7-4-25L	65F10	HC04
35	CS7-4-35L	65F10	HC04
8mmø	CS7-4-8SCL	90F10	HC04
50	CS7-4-50L	90F10	HC04
10mmø	CS7-4-10SCL	150F10	HC04
70	CS7-4-70L	150F10	HC04
95	CS7-5-95L	200F10	HC04
120	CS7-5-120L	200F10	HC04
150	CS7-5-150L	250F10	HC04
185	CS7-9-185L	2 x 150F10	HC04
240	CS7-9-240L	2 x 150F10	HC04
300	CS7-10-300L	2 x 200F10	HC05



CS8 (Horizontal Cable to Horizontal Steel Surface (On Surface))

X mm ²	Mold Part Number	Weld Powder Size	Handle Clamp
16	CS8-2-16L	45F10	HC02
25	CS8-2-25L	45F10	HC02
35	CS8-2-35L	45F10	HC02
8mmø	CS8-2-8SCL	45F10	HC02
50	CS8-2-50L	45F10	HC02
10mmø	CS8-2-10SCL	65F10	HC02
70	CS8-2-70L	65F10	HC02
95	CS8-2-90L	90F10	HC02
120	CS8-4-120L	115F10	HC04
150	CS8-4-150L	150F10	HC04

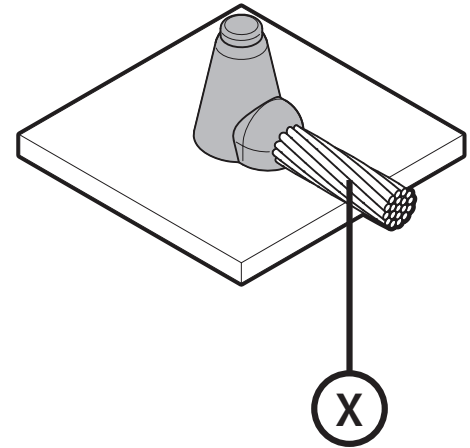


Continued...

Cable to Steel Surface & Pipe

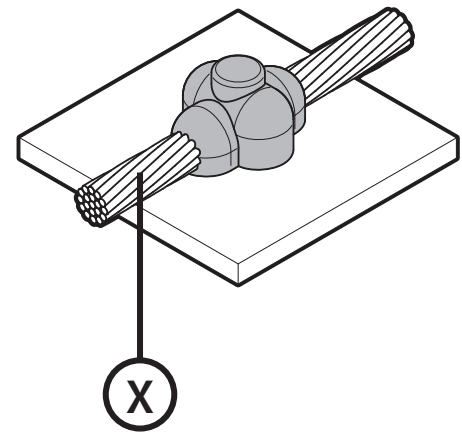
CS8 (Horizontal Cable to Horizontal Steel Surface (On Surface))

X mm ²	Mold Part Number	Weld Powder Size	Handle Clamp
185	CS8-4-185L	200F10	HC04
240	CS8-4-240L	200F10	HC04
300	CS8-4-300L	250F10	HC04



CS9 (Horizontal Thru Cable to Horizontal Steel Surface (On Surface))

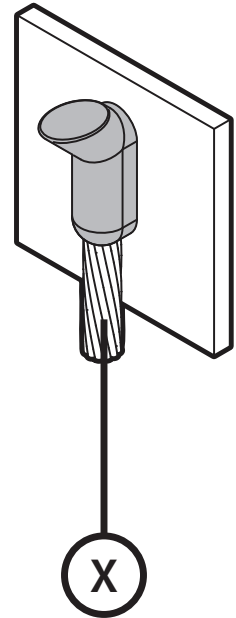
X mm ²	Mold Part Number	Weld Powder Size	Handle Clamp
16	CS9-2-16L	45F10	HC02
25	CS9-2-25L	45F10	HC02
35	CS9-2-35L	45F10	HC02
8mm \emptyset	CS9-4-8SCL	90F10	HC04
50	CS9-4-50L	90F10	HC04
10mm \emptyset	CS9-4-10SCL	115F10	HC04
70	CS9-4-70L	115F10	HC04
95	CS9-4-95L	115F10	HC04
120	CS9-4-120L	150F10	HC04
150	CS9-4-150L	200F10	HC04
185	CS9-4-185L	250F10	HC04
240	CS9-5-240L	2 x 150F10	HC05



Cable to Steel Surface & Pipe

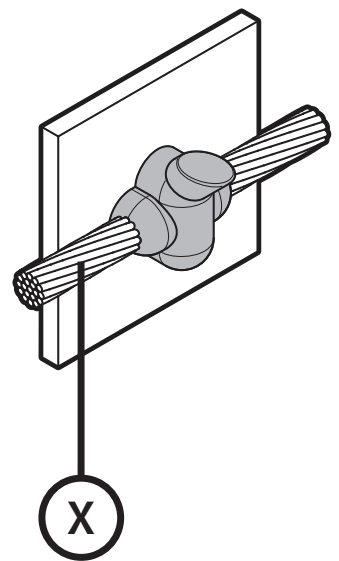
CS25 (Vertical Cable Drop to Vertical Steel Surface (On Surface))

X mm ²	Mold Part Number	Weld Powder Size	Handle Clamp
16	CS25-4-16L	45F10	HC04
25	CS25-4-25L	45F10	HC04
35	CS25-4-35L	45F10	HC04
8mm \varnothing	CS25-4-8SCL	65F10	HC04
50	CS25-4-50L	65F10	HC04
10mm \varnothing	CS25-4-10SCL	90F10	HC04
70	CS25-4-70L	90F10	HC04
95	CS25-4-95L	115F10	HC04
120	CS25-4-120L	115F10	HC04
150	CS25-4-150L	150F10	HC04
185	CS25-4-185L	200F10	HC04
240	CS25-4-240L	200F10	HC04
300	CS25-4-300L	250F10	HC04



CS27 (Horizontal Thru Cable to Vertical Steel Surface (On Surface))

X mm ²	Mold Part Number	Weld Powder Size	Handle Clamp
16	CS27-4-16L	45F10	HC04
25	CS27-4-25L	45F10	HC04
35	CS27-4-35L	45F10	HC04
8mm \varnothing	CS27-4-8SCL	65F10	HC04
50	CS27-4-50L	65F10	HC04
10mm \varnothing	CS27-4-10SCL	115F10	HC04
70	CS27-4-70L	115F10	HC04
95	CS27-4-95L	150F10	HC04
120	CS27-4-120L	150F10	HC04
150	CS27-5-150L	200F10	HC05
185	CS27-5-185L	250F10	HC05

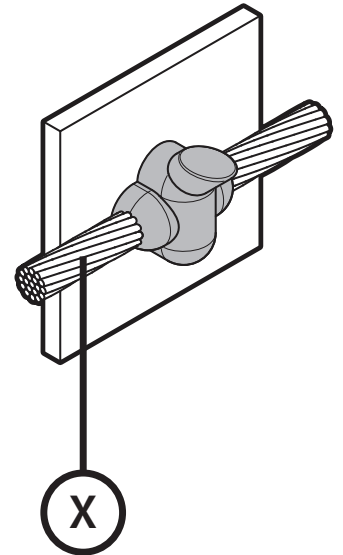


Continued...

Cable to Steel Surface & Pipe

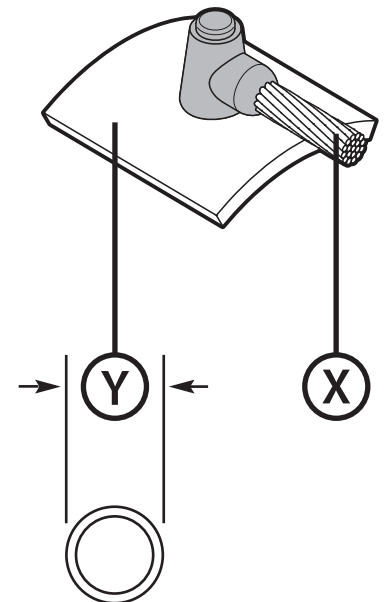
CS25 (Vertical Cable Drop to Vertical Steel Surface (On Surface))

X mm ²	Mold Part Number	Weld Powder Size	Handle Clamp
240	CS27-5-240L	2 x 150F10	HC05
300	CS27-5-300L	2 x 200F10	HC05



CS32 (Horizontal Cable to Horizontal Pipe)

X mm ²	Y mm ²	Mold Part Number	Weld Powder Size	Handle Clamp	Sleeves
2.5	<125	CS32-1-2.5-AL	15F10	HC01	1 x S105
2.5	>125	CS32-1-2.5-BL	15F10	HC01	1 x S105
4	<125	CS32-1-4-AL	15F10	HC01	1 x S105
4	>125	CS32-1-4-BL	15F10	HC01	1 x S105
6	<125	CS32-1-6-AL	15F10	HC01	1 x S105
6	>125	CS32-1-6-BL	15F10	HC01	1 x S105
10	<125	CS32-1-10-AL	25F10	HC01	1 x S102
10	>125	CS32-1-10-BL	25F10	HC01	1 x S102
16	<125	CS32-2-16-AL	45F10	HC02	1 x S103
16	>125	CS32-2-16-BL	45F10	HC02	1 x S103
25	<70	CS32-1-25-CL	25F10	HC01	-
25	70-165	CS32-1-25-DL	25F10	HC01	-
25	>165	CS32-1-25-EL	25F10	HC01	-

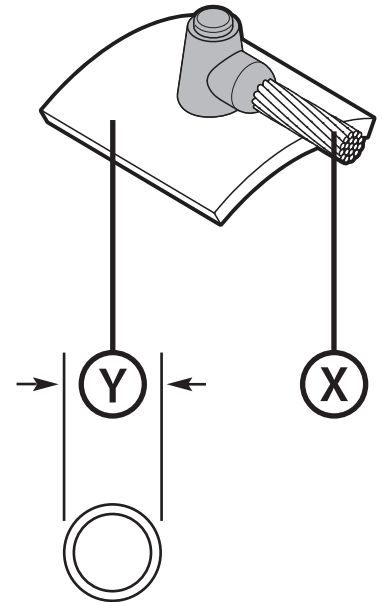


Continued...

Cable to Steel Surface & Pipe

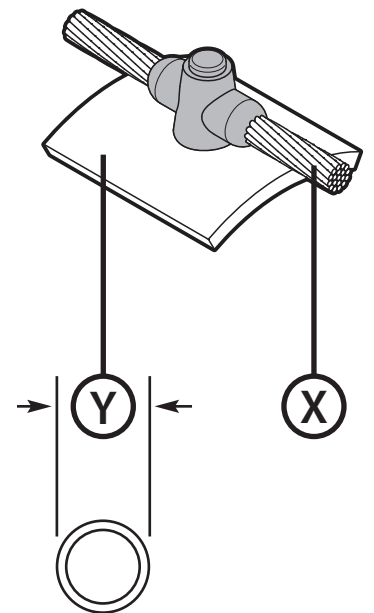
CS32 (Horizontal Cable to Horizontal Pipe)

X mm ²	Y mm ²	Mold Part Number	Weld Powder Size	Handle Clamp	Sleeves
35	<70	CS32-2-35-CL	45F10	HC02	-
35	70-165	CS32-2-35-DL	45F10	HC02	-
35	165-250	CS32-2-35-FL	45F10	HC02	-
35	>250	CS32-2-35-GL	45F10	HC02	-
50	<70	CS32-2-50-CL	45F10	HC02	-
50	70-165	CS32-2-50-DL	45F10	HC02	-
50	165-250	CS32-2-50-FL	45F10	HC02	-
50	>250	CS32-2-50-GL	45F10	HC02	-
70	<70	CS32-2-70-CL	65F10	HC02	-
70	70-165	CS32-2-70-DL	65F10	HC02	-
70	165-250	CS32-2-70-FL	65F10	HC02	-
70	>250	CS32-2-70-GL	65F10	HC02	-



CS34 (Horizontal Thru Cable to Horizontal Pipe)

X mm ²	Y mm ²	Mold Part Number	Weld Powder Size	Handle Clamp	Sleeves
2.5	<125	CS34-2-2.5-AL	15F10	HC02	2 x S105
2.5	>125	CS34-2-2.5-BL	15F10	HC02	2 x S105
4	<125	CS34-2-4-AL	15F10	HC02	2 x S105
4	>125	CS34-2-4-BL	15F10	HC02	2 x S105
6	<125	CS34-2-6-AL	15F10	HC02	2 x S105
6	>125	CS34-2-6-BL	15F10	HC02	2 x S105
10	<125	CS34-2-10-AL	32F10	HC02	2 x S102
10	>125	CS34-2-10-BL	32F10	HC02	2 x S102
16	<125	CS34-2-16-AL	45F10	HC02	2 x S103
16	>125	CS34-2-16-BL	45F10	HC02	2 x S103

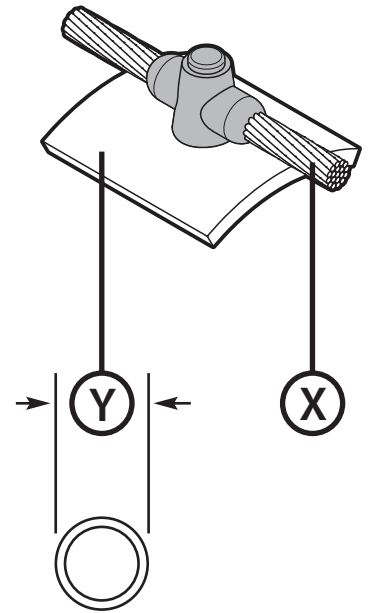


Continued...

■ Cable to Steel Surface & Pipe

CS34 (Horizontal Thru Cable to Horizontal Pipe)

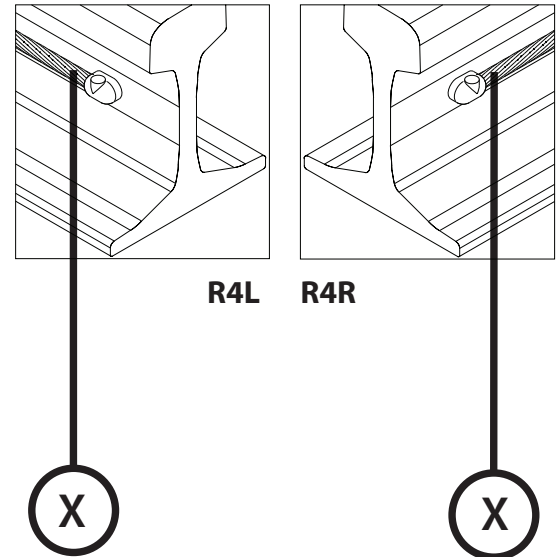
\textcircled{X} mm ²	\textcircled{Y} mm ²	Mold Part Number	Weld Powder Size	Handle Clamp	Sleeves
25	<70	CS34-2-25-CL	32F10	HC02	-
25	70 - 165	CS34-2-25-DL	32F10	HC02	-
25	>165	CS34-2-25-EL	32F10	HC02	-
35	<70	CS34-2-35-CL	45F10	HC02	-
35	70-165	CS34-2-35-DL	45F10	HC02	-
35	165 - 250	CS34-2-35-FL	45F10	HC02	-
35	>250	CS34-2-35-GL	45F10	HC02	-
50	<70	CS34-2-50-CL	65F10	HC02	-
50	70 - 165	CS34-2-50-DL	65F10	HC02	-
50	165 - 250	CS34-2-50-FL	65F10	HC02	-
50	>250	CS34-2-50-GL	65F10	HC02	-



Cable to Rail

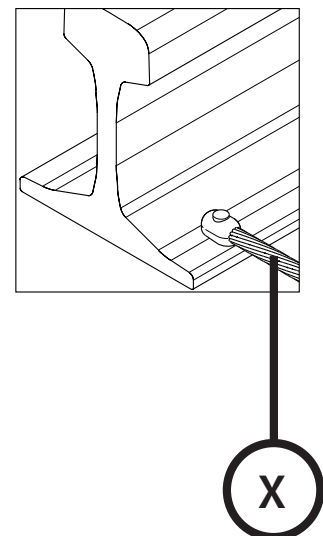
R4 (Horizontal Cable to Web of Rail)

X mm ²	Mold Part Number	Weld Powder Size	Handle Clamp	Sleeves
16	R4L-4-16L	45F10	HCR01	S103
16	R4R-4-16L	45F10	HCR01	S103
25	R4L-4-25L	45F10	HC01	-
25	R4R-4-25L	45F10	HC01	-
35	R4L-4-35L	45F10	HC01	S106
35	R4R-4-35L	45F10	HC01	S106
50	R4L-4-50L	65F10	HC01	S107
50	R4R-4-50L	65F10	HC01	S107
70	R4L-4-70L	75F10	HC01	S108A
70	R4R-4-70L	75F10	HC01	S108A
95	R4L-9-95L	75F10	HC01	S109A
95	R4R-9-95L	75F10	HC01	S109A
120	R4L-9-120L	115F10	HC01	S110A
120	R4R-9-120L	115F10	HC01	S110A
150	R4L-9-150L	150F10	HC01	S111A
150	R4R-9-150L	150F10	HC01	S111A



R5 (Horizontal Cable End Tap to Foot of Rail)

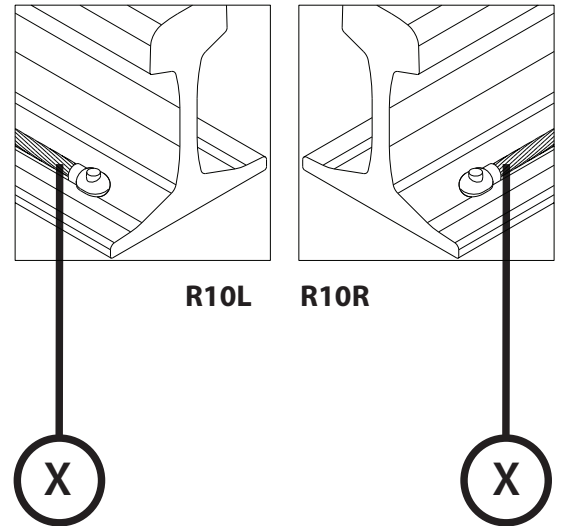
X mm ²	Mold Part Number	Weld Powder Size	Handle Clamp	Sleeves
16	R5L-3-16L	25F10	HC02	S103
25	R5L-3-25L	25F10	HC02	-
35	R5L-3-35L	32F10	HC02	S106
50	R5L-3-50L	45F10	HC02	S107
70	R5L-3-70L	65F10	HC02	S108
95	R5L-3-95L	65F10	HC02	S109
120	R5L-3-120L	90F10	HC02	S110
150	R5L-3-150L	115F10	HC02	S111



Cable to Rail

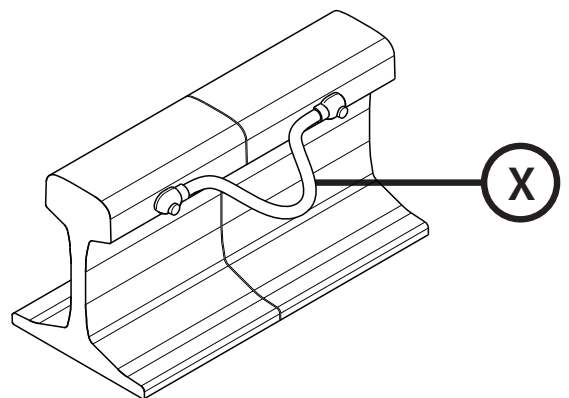
R10 (Horizontal Cable to Foot of Rail)

X mm ²	Mold Part Number	Weld Powder Size	Handle Clamp	Sleeves
16	R10L-3-16L	25F10	HC02	S103
16	R10R-3-16L	25F10	HC02	S103
25	R10L-3-25L	25F10	HC02	-
25	R10R-3-25L	25F10	HC02	-
35	R10L-3-35L	32F10	HC02	S106
35	R10R-3-35L	32F10	HC02	S106
50	R10L-3-50L	45F10	HC02	S107
50	R10R-3-50L	45F10	HC02	S107
70	R10L-3-70L	65F10	HC02	S108
70	R10R-3-70L	65F10	HC02	S108
95	R10L-3-95L	65F10	HC02	S109
95	R10R-3-95L	65F10	HC02	S109
120	R10L-3-120L	90F10	HC02	S110
120	R10R-3-120L	90F10	HC02	S110
150	R10L-3-150L	115F10	HC02	S111
150	R10R-3-150L	115F10	HC02	S111



R12 (Bond to Head of Rail)

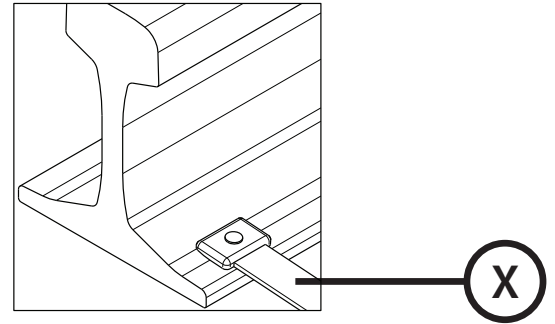
X mm ²	Mold Part Number	Weld Powder Size	Handle Clamp	Sleeves
25	R12-3-25L	32F10	HCR2	RB25
35	R12-3-35L	32F10	HCR2	RB35
50	R12-3-50L	45F10	HCR2	RB50
70	R12-3-70L	65F10	HCR2	RB70
95	R12-3-95L	90F10	HCR2	RB95
120	R12-3-120L	115F10	HCR2	RB120



■ Bar to Rail



R6 (Tape to Foot of Rail at 90 Deg)

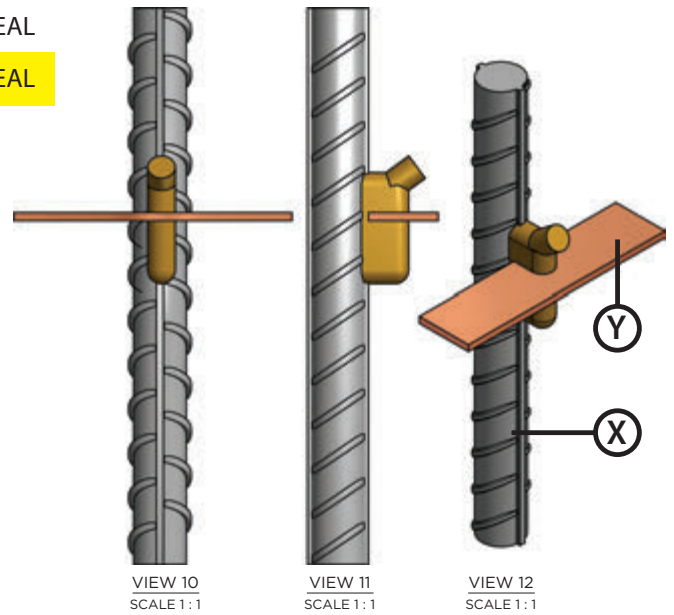
 mm x mm	Mold Part Number	Weld Powder Size	Handle Clamp
25 x 3	R6-3-253L	65F10	HC02




BRE Joints

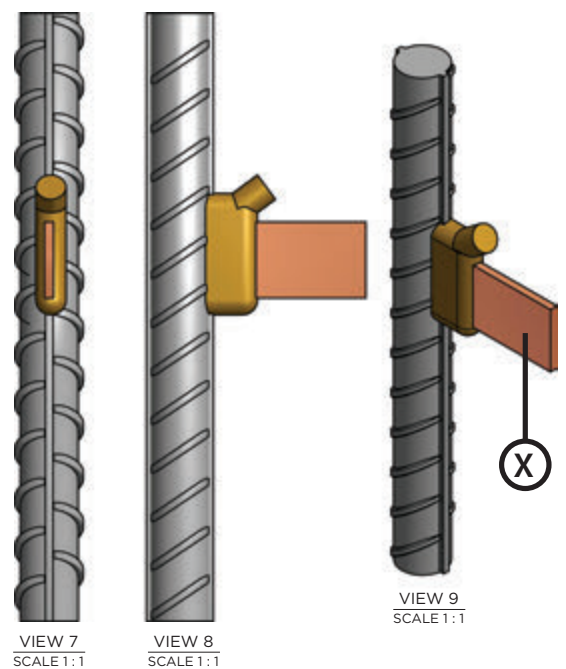
BRE4 (Horizontal Tape Thru Rebar)

 mmØ	 mm x mm	Mold Part Number	Weld Powder Size	Handle Clamp	Accessories
10 - 40	25 x 3	BRE4-3-253	90F10	HC03A	DUXSEAL
—	31 x 6	BRE4-4-316	115F10	HC03A	DUXSEAL



BRE60 (Vertical Tape End Tap to Rebar)

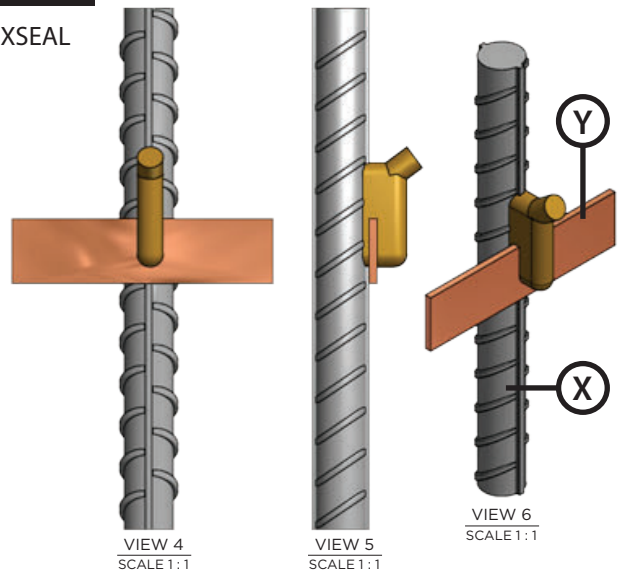
 mm x mm	Mold Part Number	Weld Powder Size	Handle Clamp	Accessories
25 x 3	BRE60-4-253	115F10	HC04A	DUXSEAL



BRE Joints

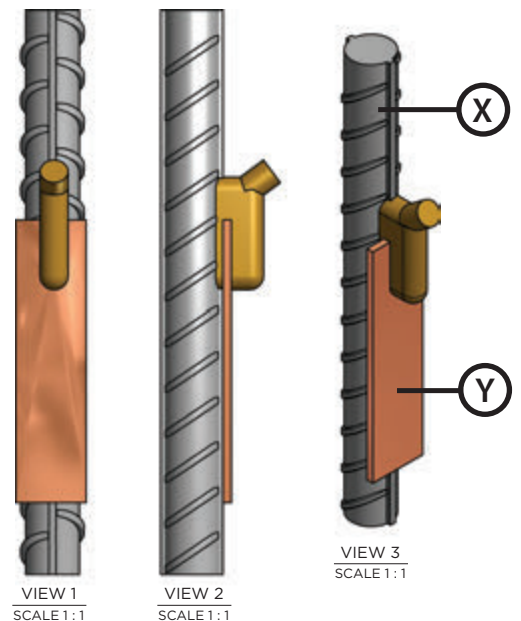
BRE73 (Vertical Tape Thru Rebar)

X mm ²	Y mm x mm	Mold Part Number	Weld Powder Size	Handle Clamp	Accessories
20	25 x 3	BRE73-4-20R253	90F10	HC04A	DUXSEAL



BRE76 (Vertical Tape Parallel Tap Rebar)

X mm ²	Y mm x mm	Mold Part Number	Weld Powder Size	Handle Clamp	Accessories
10	25 x 4	BRE76-4-10R254	115F10	HC03A	DUXSEAL
25	25 x 3	BRE76-4-25R253	115F10	HC03A	DUXSEAL
32	25 x 6	BRE76-4-32R256	115F10	HC03A	DUXSEAL



Accessories



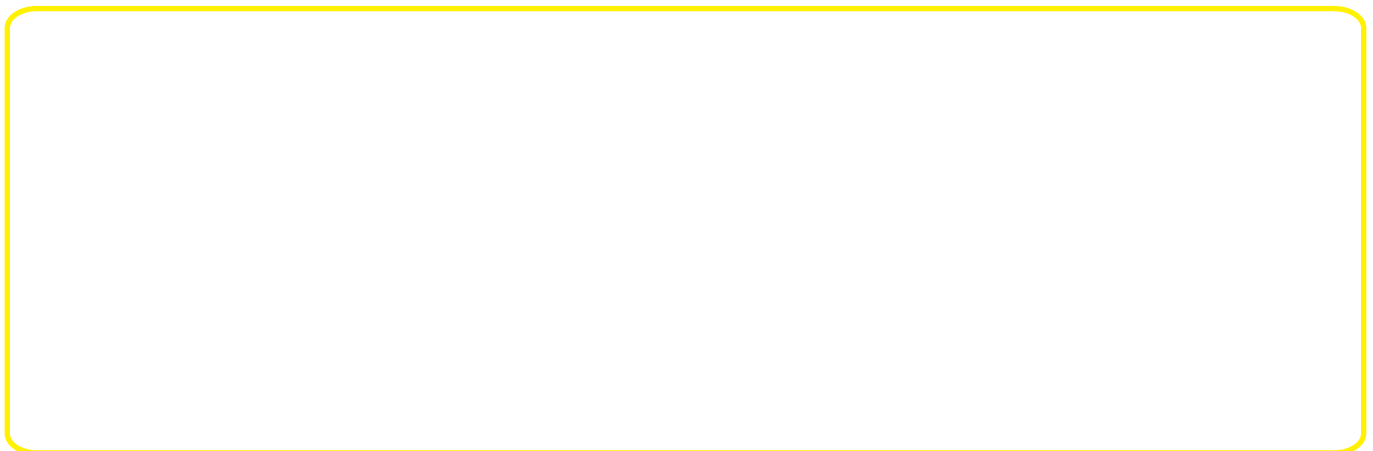
Part No.	Description
BFC-L	[1] Tape Cleaning Brush
DUXSEAL	[2] Duxseal Sealing Compound (1lb)
FGUN-L	[3] Flint Gun
BCM-L	[4] Mould Cleaning Brush
STM1-FU-L	[5] Mould Cleaning Scraper
PACK-A-L	[6] Packing
T313-L	[7] Cable Cleaning Brush

Handle Clamps



Part No.	Description
HC03A	With Chain Grip, Multi Part Moulds (Size 3)
HC04	Handle Clamp (Size 4)
HC04A	With Chain Grip, Multi Part Moulds (Size 4)
HC05	Handle Clamp (Size 5)
HC07	Handle Clamp (Size 7)

Authorised Distributor:



The content of this catalogue has been carefully checked for accuracy at the time of print. However, LYTECH Technologies Pte Ltd doesn't give any warranty of any kind, express or implied, in this respect and shall not be liable for any loss or damage that may result from any use or as a consequence of any inaccuracies in or any omissions from the information which it may contain.

Copyright © 2020 LYTECH Technologies Pte Ltd. Copyright in these pages is owned by LYTECH Technologies Pte Ltd except where otherwise indicated. No part of this publication may be reproduced, copied or transmitted in any form or by any means, without our prior written permission. Images, trademarks, brands, designs and technology are also protected by other intellectual property rights and may not be reproduced or appropriated in any manner without written permission of their respective owners. LYTECH Technologies Pte Ltd reserves the right to change and improve any product specifications or other mentions in the catalogue at its own discretion and at any time. These conditions of use are governed by the laws of Singapore and the courts of Singapore shall have exclusive jurisdiction in any dispute.

LYTECH Technologies Ltd

85 Great Portland Street, London W1W 7LT

Tel: +44 20 3745 0614 | **Email:** marketing@lytech.uk | **Website:** www.lytech.uk

LYTECH Technologies Pte Ltd

51 Ubi Avenue 1, #05-22 Paya Ubi Industrial Park, Singapore 408933

Tel: +65 6741 9108 | **Fax:** +65 6749 3244 | **Email:** sales@lytech.uk | **Website:** www.lytech.uk