



▶▶▶ *Metric Compression Connectors (Cable Lugs)*



Manufacturer Head Office:

 **LYTECH**

Email: sales@lytech.uk | marketing@lytech.uk
Website: www.lytech.uk

Ver : LYT-1-2



Certificate of Registration

QUALITY MANAGEMENT SYSTEM - ISO 9001:2015

This is to certify that:

Lytech Technologies Pte Ltd
51 Ubi Avenue 1
#05-22 Paya Ubi Industrial Building
Singapore 408933

Holds Certificate No:

FM 665172

and operates a Quality Management System which complies with the requirements of ISO 9001:2015 for the following scope:

The design, manufacture & sales of lightning and earthing materials

For and on behalf of BSI:

Chris Cheung, Head of Compliance & Risk - Asia Pacific

Original Registration Date: 2017-01-14

Latest Revision Date: 2020-11-03

Effective Date: 2020-01-14

Expiry Date: 2023-01-13

Page: 1 of 1



...making excellence a habit.™

This certificate was issued electronically and remains the property of BSI and is bound by the conditions of contract.

An electronic certificate can be authenticated [online](#).

Printed copies can be validated at www.bsi-global.com/ClientDirectory or telephone + (65)62700777.

Further clarifications regarding the scope of this certificate and the applicability of ISO 9001:2015 requirements may be obtained by consulting the organization.

This certificate is valid only if provided original copies are in complete set.

Information and Contact: BSI, Kitemark Court, Davy Avenue, Knowlhill, Milton Keynes MK5 8PP. Tel: + 44 345 080 9000
BSI Assurance UK Limited, registered in England under number 7805321 at 389 Chiswick High Road, London W4 4AL, UK.
A Member of the BSI Group of Companies.

About Cable Lugs

LYTECH cable lug are designed to terminate copper conductors in a wide variety of electrical connections for use in many areas such as the Power and Utility, Telecommunications, Automation Industrial, Oil and Gas and Marine sectors.

LYTECH cable lug allow simple cable preparations for a permanent cable termination. It is also available with an inspection hole to ensure that the conductor has been properly inserted into the barrel.

Engineered to provide fast and easy termination solutions for the most demanding applications **LYTECH cable lug** deliver the highest reliability and lowest installed cost.



Features & Benefits

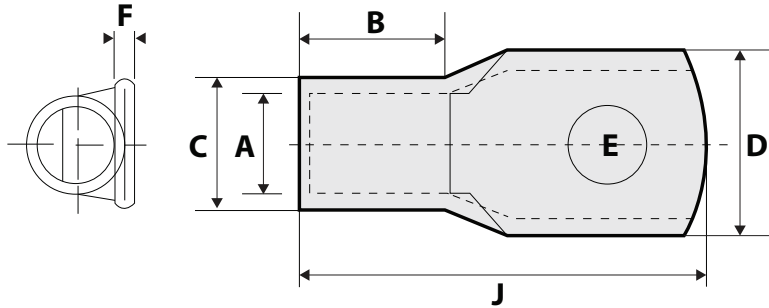
- ROHS Compliant
- Product information marked on connectors for easy selection and installation
- Internally bevelled wire entry for fast and easy installation
- Inspection window assures a visually verifiable, high quality crimp
- Rounded tongue allows positioning at different angles, convenient for tight spaces
- Metric size range from 6sqmm - 10sqmm
- Electro-tinned to BS 1872 assuring durable corrosion resistance



▶▶▶ One Hole Lug - Standard Barrel

Metric Compression Connectors 25 thru 1000mm²

One Hole Lug - Standard Barrel
Electro Tin - Plated for Corrosion Resistance

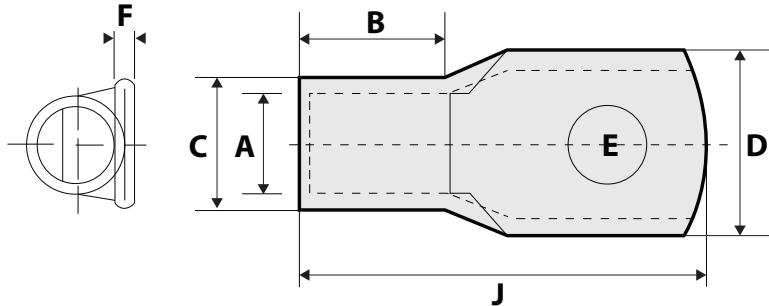


mm ²	E	A	C	D	B	J	Cat No.
1.5	5.2	1.8	3.7	8	5	16	LY 1.5-5
1.5	6.5	1.8	3.7	10	5	18	LY 1.5-6
2.5	4.2	2.4	4.0	8	7	18	LY 2.5-4
2.5	5.2	2.4	4.0	10	7	20	LY 2.5-5
2.5	6.5	2.4	4.0	10	7	20	LY 2.5-6
4	5.2	3.1	4.8	10	7	20	LY 4-5
4	6.5	3.1	4.8	10	7	20	LY 4-6
6	5.2	3.8	5.5	10	9	23	LY 6-5
6	6.5	3.8	5.5	12	9	27	LY 6-6
6	8.4	3.8	5.5	12	9	27	LY 6-8
10	6.5	4.5	6.2	12	9	25	LY 10-6
10	8.4	4.5	6.2	12	9	27	LY 10-8
16	6.5	5.4	7.1	12	12	30	LY 16-6
16	8.4	5.4	7.1	12	12	32	LY 16-8
20	8.4	6.0	7.7	12	12	32	LY 20-8
25	6.5	6.8	8.8	13	12	30	LY 25-6
25	8.4	6.8	8.8	18	12	37	LY 25-8
25	10.5	6.8	8.8	18	12	37	LY 25-10
35	6.5	8.2	10.6	15	12	35	LY 35-6
35	8.4	8.2	10.6	15	12	35	LY 35-8
35	10.5	8.2	10.6	18	12	38	LY 35-10
35	12.5	8.2	10.6	18	12	38	LY 35-12
50	8.4	9.5	12.4	18	16	43	LY 50-8
50	10.5	9.5	12.4	18	16	43	LY 50-10

▶▶▶ One Hole Lug - Standard Barrel

Metric Compression Connectors 25 thru 1000mm²

One Hole Lug - Standard Barrel
Electro Tin - Plated for Corrosion Resistance

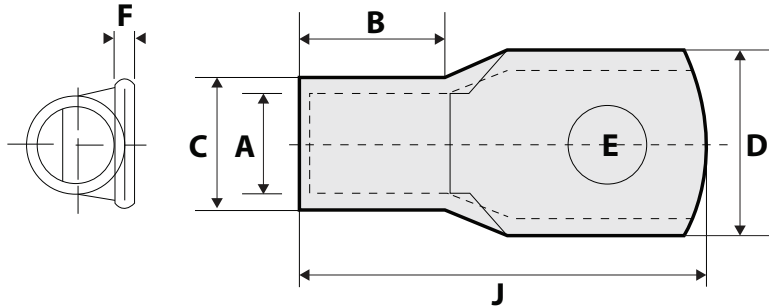


mm ²	E	A	C	D	B	J	Cat No.
70	8.4	11.2	14.7	21	18	50	LY 70-8
70	10.5	11.2	14.7	21	18	50	LY 70-10
70	13.0	11.2	14.7	21	18	50	LY 70-12
95	10.5	13.5	17.4	25	20	55	LY 95-10
95	13.0	13.5	17.4	25	20	55	LY 95-12
120	13.0	15.0	19.4	28	22	60	LY 120-12
120	17.0	15.0	19.4	28	22	64	LY 120-16
150	10.5	16.5	21.2	30	26	69	LY 150-10
150	13.0	16.5	21.2	30	26	69	LY 150-12
150	17.0	16.5	21.2	30	26	69	LY 150-16
185	10.5	18.5	23.5	34	32	78	LY 185-10
185	13.0	18.5	23.5	34	32	78	LY 185-12
185	17.0	18.5	23.5	34	32	78	LY 185-16
240	10.5	21.0	26.5	38	38	92	LY 240-10
240	13.0	21.0	26.5	38	38	92	LY 240-12
240	17.0	21.0	26.5	38	38	92	LY 240-16
240	21.0	21.0	26.5	38	38	92	LY 240-20
300	13.0	23.5	30.0	43	42	101	LY 300-12
300	17.0	23.5	30.0	43	42	101	LY 300-16
300	21.0	23.5	30.0	43	42	101	LY 300-20
400	13.0	26.8	34.8	50	44	114	LY 400-12
400	17.0	26.8	34.8	50	44	114	LY 400-16
400	21.0	26.8	34.8	50	44	114	LY 400-20
500	21.0	30.0	39.0	56	48	124	LY 500-20

▶▶▶ One Hole Lug - Standard Barrel

■ Metric Compression Connectors 25 thru 1000mm²

One Hole Lug - Standard Barrel
Electro Tin - Plated for Corrosion Resistance

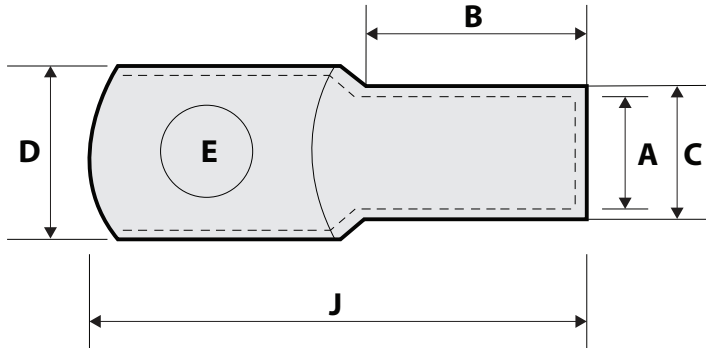


mm ²	E	A	C	D	B	J	Cat No.
630	17.0	35.0	45.0	65	56	144	LY 630-16
630	21.0	35.0	45.0	65	56	144	LY 630-20
800	21.0	39.0	50.6	73	78	170	LY 800-16

▶▶▶ One Hole Lug - Long Barrel

Metric Compression Connectors 25 thru 1000mm²

One Hole Lug - Long Barrel
Electro Tin - Plated for Corrosion Resistance

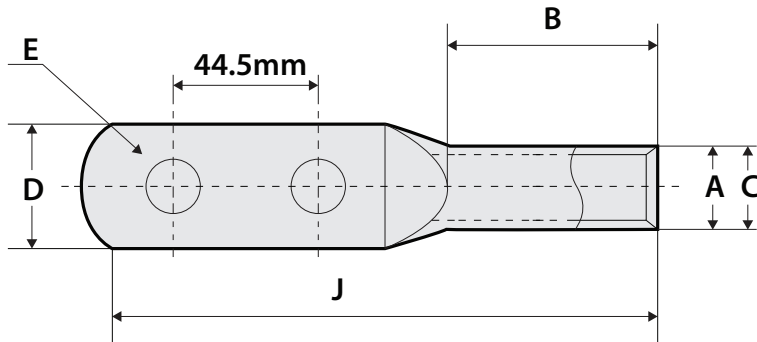


mm ²	E	A	C	D	B	J	Cat No.
25	8.2	7.0	9.0	13	16	41	LY-L 25-8
35	8.2	8.0	10.6	15	20	48	LY-L 35-8
35	10.2	8.0	10.6	15	20	48	LY-L 35-10
50	8.2	9.2	12.2	17	26	59	LY-L 50-8
70	10.2	11.5	15.0	20	28	66	LY-L 70-10
95	12.7	12.8	17.0	24	32	74	LY-L 95-12
120	10.2	14.8	19.6	28	35	82	LY-L 120-10
120	12.7	14.8	19.6	28	35	82	LY-L 120-12
150	12.7	16.0	21.2	30	38	86	LY-L 150-12
185	12.7	18.0	24.0	34	43	95	LY-L 185-12
240	17.0	22.0	28.0	40	50	112	LY-L 240-16
300	17.0	25.0	32.0	45	57	123	LY-L 300-16
400	12.7	29.0	37.0	51	65	136	LY-L 400-12
400	17.0	29.0	37.0	51	65	136	LY-L 400-16
400	21.0	29.0	37.0	51	65	136	LY-L 400-20
400	17.0	29.0	37.0	51	65	136	LY-L 400-16
500	21.0	30.0	39.0	56	72	148	LY-L 500-20
630	21.0	35.0	45.0	65	84	172	LY-L 630-20
800	21.0	39.0	50.6	73	117	209	LY-L 800-20
1000	21.0	43.0	56.2	81	135	245	LY-L 1000-20

▶▶▶ Two Hole Lugs - Long Barrel

Metric Compression Connectors 16 thru 630mm²

Two Hole Lugs - Long Barrel
Electro Tin - Plated for Corrosion Resistance

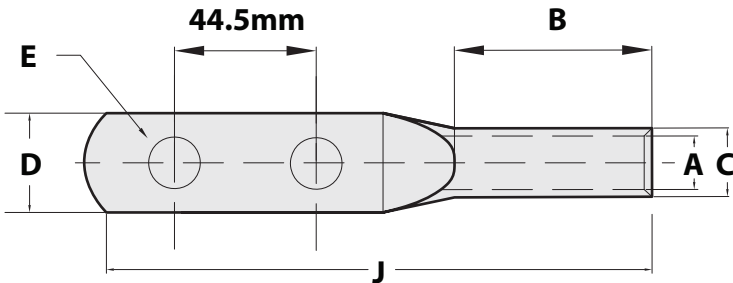


mm ²	E	A	C	D	B	J	Cat No.
16	10.5	5.4	7.6	14.5	16	100	LY 2 16-10
25	10.5	6.8	8.8	15	16	100	LY 2 25-10
35	10.5	8.2	10.6	16.5	16	100	LY 2 35-10
50	10.5	9.5	12.4	17	25	109	LY 2 50-10
50	13	9.5	12.4	17	25	109	LY 2 50-12
70	10.5	11.3	14.7	21	30	114	LY 2 70-10
70	13	11.3	14.7	21	30	114	LY 2 70-12
95	10.5	13.5	17.4	25	30	116	LY 2 95-10
95	13	13.5	17.4	25	30	116	LY 2 95-12
120	10.5	15	19.4	27.5	35	122	LY 2 120-10
120	13	15	19.4	27.5	35	122	LY 2 120-12
150	10.5	16.5	21.2	30	40	126	LY 2 150-10
150	13	16.5	21.2	30	40	126	LY 2 150-12
185	10.5	18.5	23.5	33.5	42	132	LY 2 185-10
185	13	18.5	23.2	33.5	42	132	LY 2 185-12
240	10.5	21	26.5	38.5	50	143	LY 2 240-10
240	13	21	26.5	38.5	50	143	LY 2 240-12
300	13.7	23.5	30	43	55	144	LY 2 300-12
400	13.7	28.5	36.5	52.5	60	149	LY 2 400-12
500	13.7	30	39	56	65	160	LY 2 500-12
630	13.7	35	45	56.8	75	160	LY 2 630-12

▶▶▶ DC Traction Cable Lug

Metric Compression Connectors 240 thru 400mm²

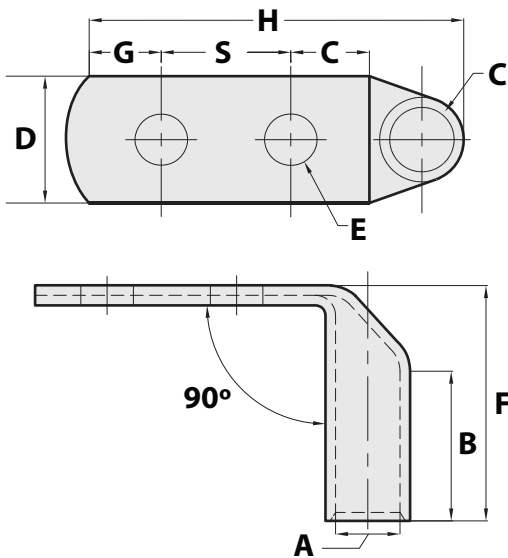
Two Hole Lugs- Long Barrel
Tinned Copper



mm ²	E	A	C	D	B	J	Cat No.
240	13.7	30	36.5	52.5	65	170	LY-2-240-12
400	13.7	28.5	36.5	52.5	60	149	LY-2-400-12

Metric Compression Connectors 240 thru 400mm²

Two Hole Lugs- Long Barrel
Tinned Copper



mm ²	E	A	C	D	G	S	C	B	F	H	Cat No.
240	13.7	22	27.5	52.5	30	40	30	60	73	118.25	LY-2-240-12 (90)
400	13.7	30	36.5	52.5	15.5	44.5	16	85	116	112.5	LY-2-400-12 (90)

Authorised Distributor:



The content of this catalogue has been carefully checked for accuracy at the time of print. However, LYTECH Technologies Pte Ltd doesn't give any warranty of any kind, express or implied, in this respect and shall not be liable for any loss or damage that may result from any use or as a consequence of any inaccuracies in or any omissions from the information which it may contain.

Copyright © 2020 LYTECH Technologies Pte Ltd. Copyright in these pages is owned by LYTECH Technologies Pte Ltd except where otherwise indicated. No part of this publication may be reproduced, copied or transmitted in any form or by any means, without our prior written permission. Images, trademarks, brands, designs and technology are also protected by other intellectual property rights and may not be reproduced or appropriated in any manner without written permission of their respective owners. LYTECH Technologies Pte Ltd reserves the right to change and improve any product specifications or other mentions in the catalogue at its own discretion and at any time. These conditions of use are governed by the laws of Singapore and the courts of Singapore shall have exclusive jurisdiction in any dispute.

LYTECH Technologies Ltd

85 Great Portland Street, London W1W 7LT

Tel: +44 20 3745 0614 | **Fax:** +44 20 7183 3073 | **Email:** marketing@lytech.uk | **Website:** www.lytech.uk

LYTECH Technologies Pte Ltd

51 Ubi Avenue 1, #05-22 Paya Ubi Industrial Park, Singapore 408933

Tel: +65 6741 9108 | **Fax:** +65 6749 3244 | **Email:** sales@lytech.uk | **Website:** www.lytech.uk